

conveyor support components

 pag. 220	 pag. 220	 pag. 221	 pag. 221	 pag. 222	 pag. 222
 pag. 223	 pag. 224	 pag. 224	 pag. 225	 pag. 226	 pag. 226
 pag. 227	 pag. 227	 pag. 228	 pag. 229	 pag. 229	 pag. 229
 pag. 230	 pag. 231	 pag. 232	 pag. 232	 pag. 232	 pag. 232
 pag. 232	 pag. 233	 pag. 234	 pag. 234	 pag. 234	 pag. 234
 pag. 234	 pag. 234	 pag. 234	 pag. 234	 pag. 234	 pag. 234
 pag. 234	 pag. 234	 pag. 234	 pag. 234	 pag. 234	 pag. 234

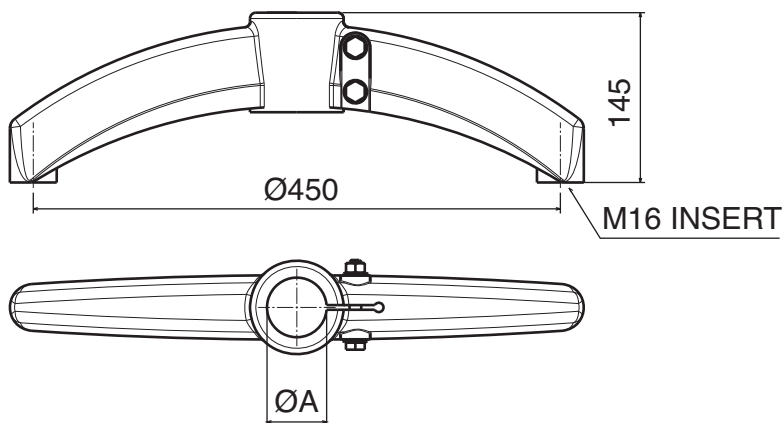


Materiale:	Material:	Materialien:
Basi: Poliammide	Base: Polyamide	Halter: Polyamid
Viti e rondelle: Acciaio inox	Screws and washers: Stainless steel	Schrauben und Scheibe Edelstahl
Inserti e dadi: ottone nichelato	Inserts nuts: nickel plated brass	Mutter: Messing vernickelt



Base a due braccia / Bipod / Zweibeinhalter

Part	Article-Nr.	ØA
401	40101	48,3
401	40105	50,9
401	40102	60,3

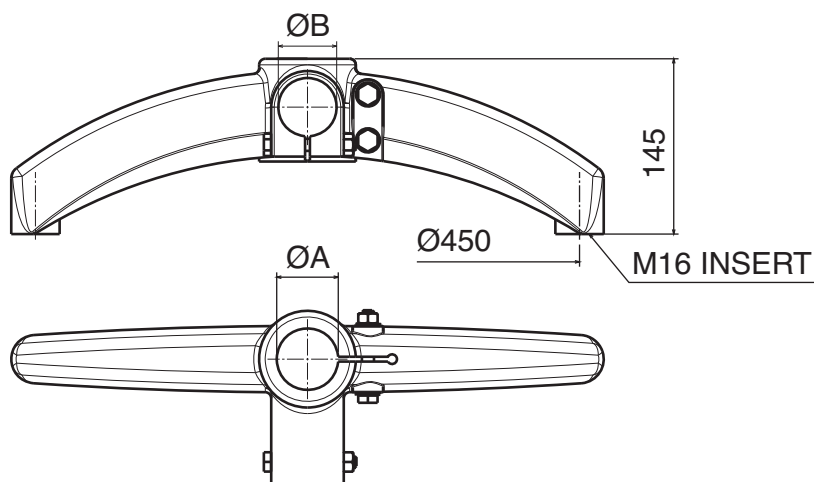


Tube sliding load resistance
P= 8000N
Max applicable load
P= 9600N
Bolts tightening torque
35 N.m



Base a due braccia 180° con giunto / Bipod 180° with connector / Zweibeinhalter 180° m. Verbinder

Part	Article-Nr.	ØA	ØB
402	40201	48,3	48,3
402	40205	50,9	48,3
402	40202	60,3	48,3
402	40203	48,3	42,4
402	40206	50,9	42,4
402	40204	60,3	42,4



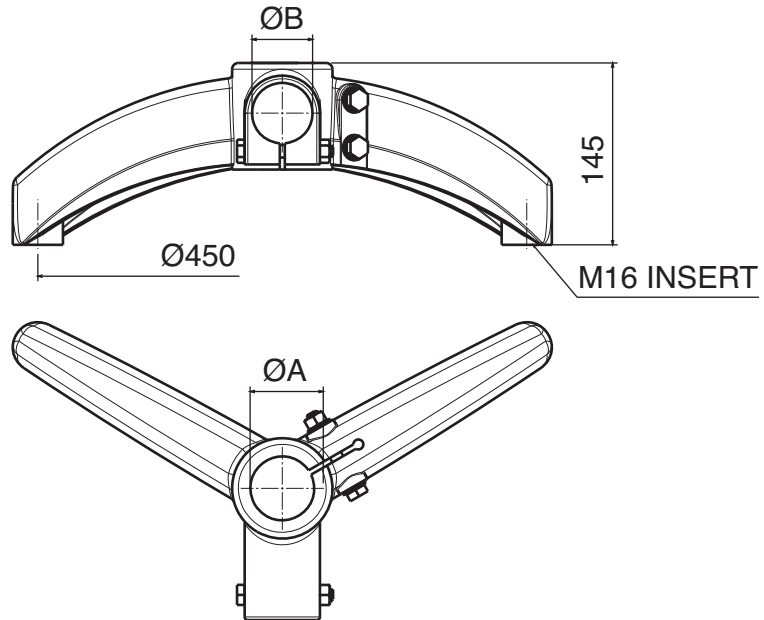
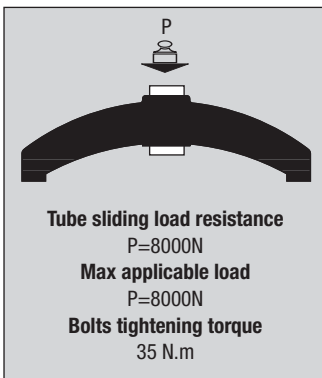
Tube sliding load resistance
P=8000N
Max applicable load
P=8000N
Bolts tightening torque
35 N.m

Materiale:	Material:	Materialien:
Basi: Poliammide	Base: Polyamide	Halter: Polyamid
Viti e rondelle: Acciaio inox	Screws and washers: Stainless steel	Schrauben und Scheibe Edelstahl
Inseriti e dadi: ottone nichelato	Inserts nuts: nickel plated brass	Mutter: Messing vernickelt

Base a due braccia 120° con giunto / Bipod 120° with connector / Zweibeinhalter 120° m. Verbinder



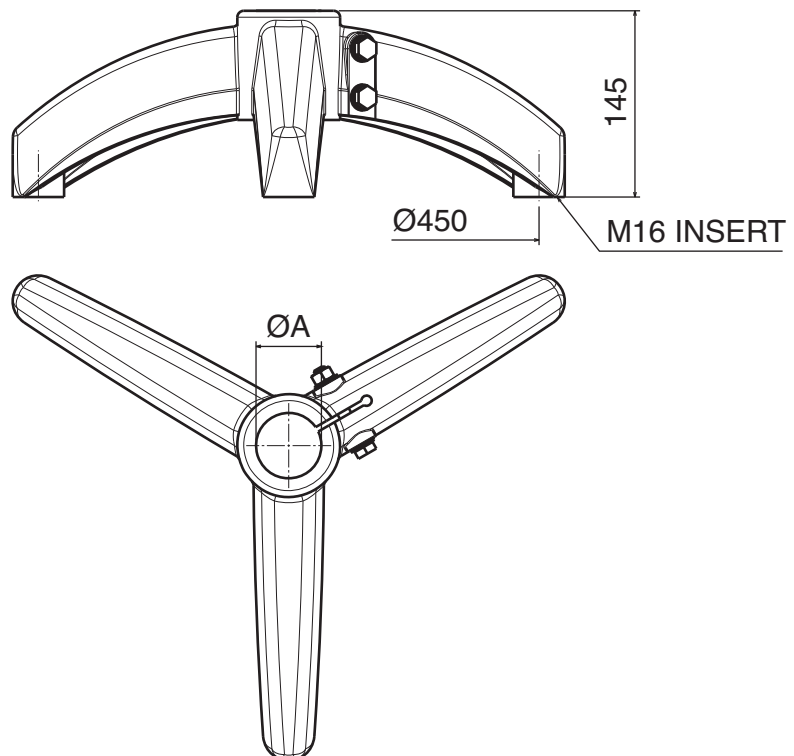
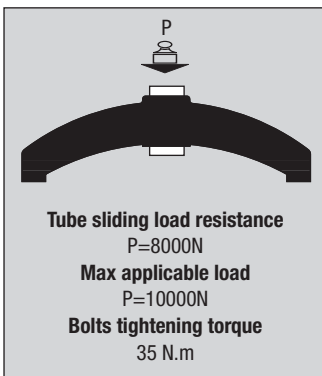
Part	Article-Nr.	ØA	ØB
403	40301	48,3	48,3
403	40305	50,9	48,3
403	40302	60,3	48,3
403	40303	48,3	42,4
403	40306	50,9	42,4
403	40304	60,3	42,4



Base a tre braccia / Tripod / Dreibeinhalter



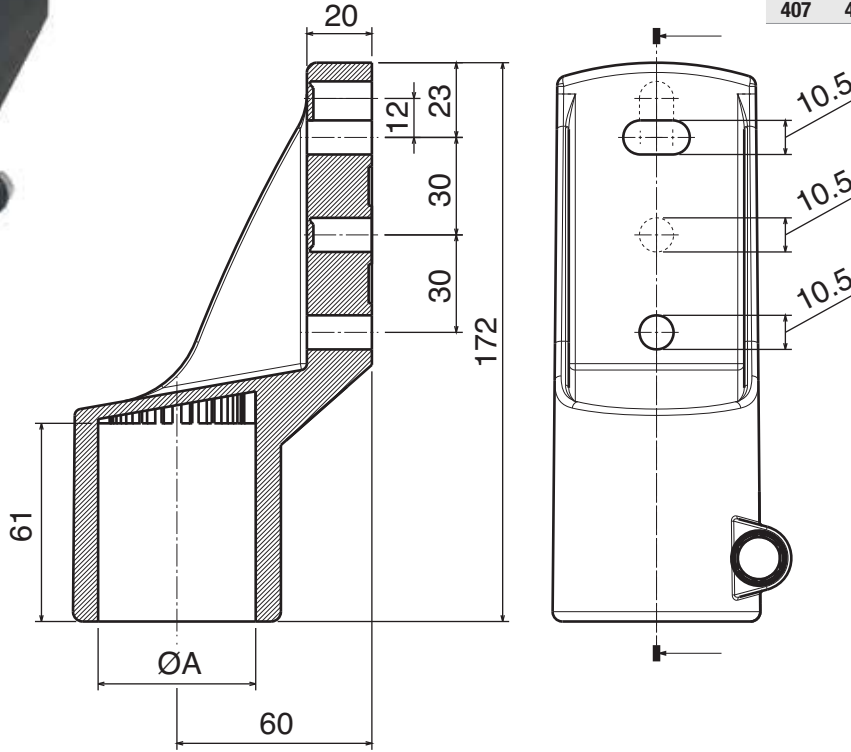
Part	Article-Nr.	ØA
404	40401	48,3
404	40405	50,9
404	40402	60,3



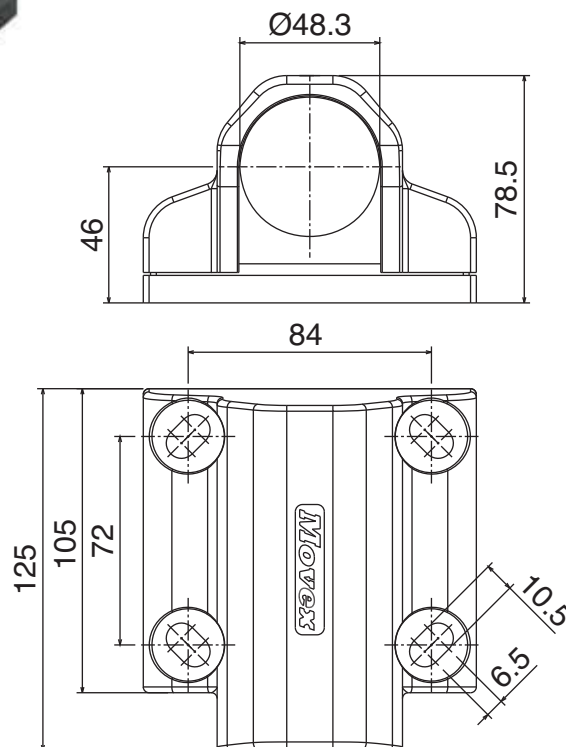
Materiale:	Material:	Materialien:
Testata: Poliammide	Side bracket: Polyamide	Halter: Polyamid
Viti e rondelle: Acciaio inox	Screws and washers: Stainless steel	Schrauben und Scheibe Edelstahl
Dadi: ottone nichelato	Nuts: nickel plated brass	Mutter: Messing vernickelt



Testata laterale / Side mounting top bracket / seitlicher Stützkopf



Testata laterale / Side mounting top bracket / seitlicher Stützkopf

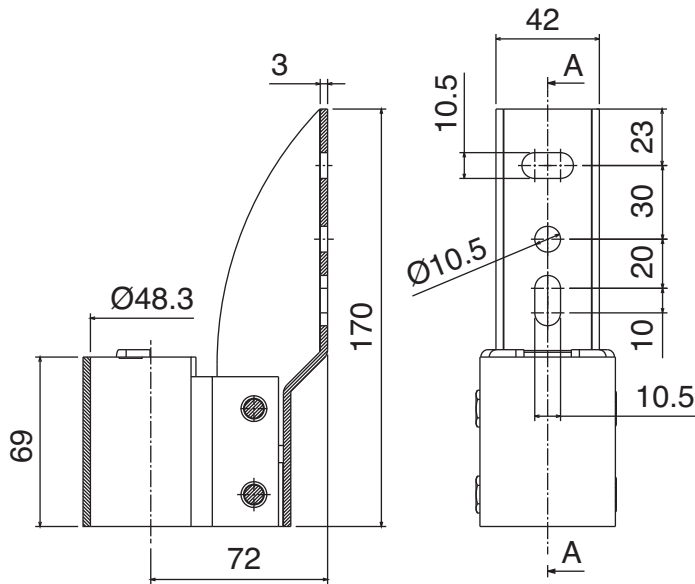


Material:

Support head: stainless steel
Screws, washers and nut: Stainless steel

Side mounting top bracket in stainless steel

Part	Article-Nr.	ØA
409	40901	48,3



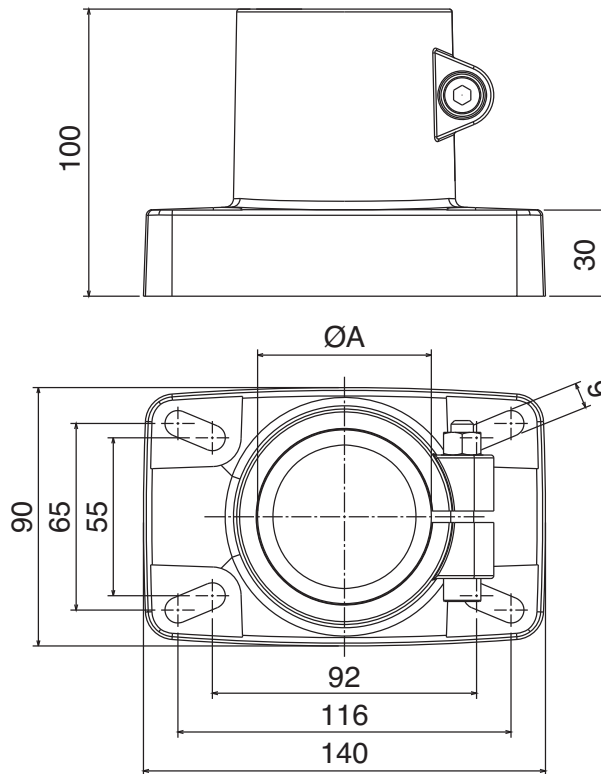
New

Stainless steel
AISI 304

Materiale:	Material:	Materialien:
Testata: Poliammide	Support head: Polyamide	Halter: Polyamid
Viti e rondelle e dado: Acciaio inox	Screws, washers and nut: Stainless steel	Schrauben, Scheibe und Mutter Edelstahl



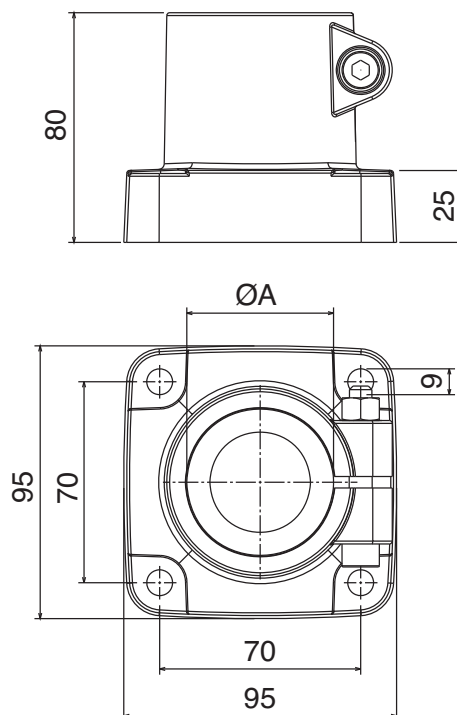
Testata d'appoggio / Support head / Stützkopf



Part	Article-Nr.	ØA
410	41001	48,3
410	41002	60,3



Testata d'appoggio / Support head / Stützkopf

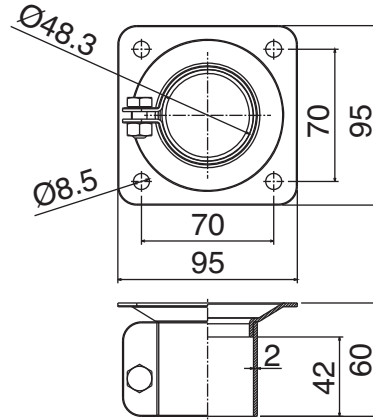


Part	Article-Nr.	ØA
411	41101	48,3
411	41102	50,9

Materiale:	Material:	Materialien:
Acciaio inox	Stainless steel	Edelstahl

Testata d'appoggio / Support head / Stützkopf

Part	Article-Nr.
426	42601



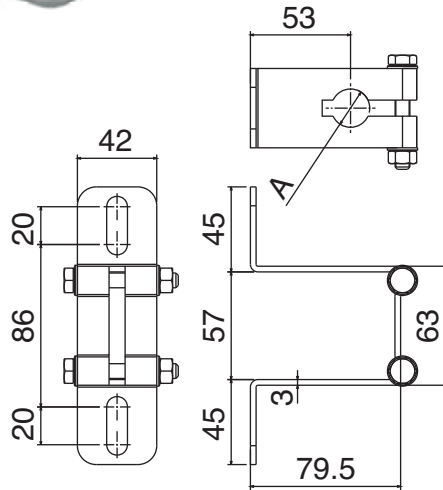
Stainless steel
AISI 304

Materiale:	Material:	Materialien:
Acciaio inox	Stainless steel	Edelstahl

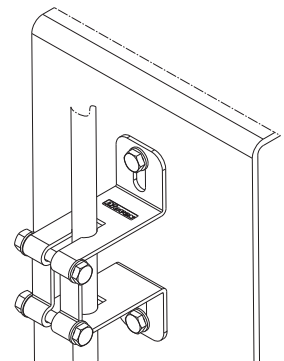


Supporto laterale / Side bracket / Seitenhalter

Part	Article-Nr.	A
427	42701	16
427	42702	20

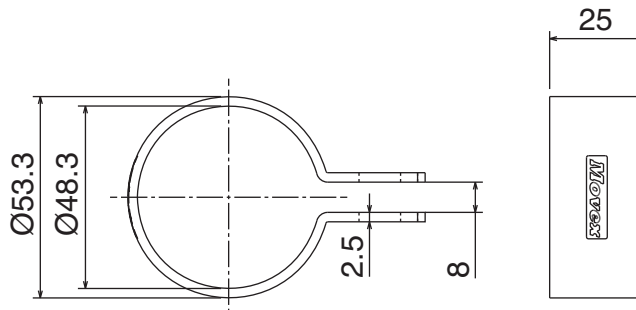


Stainless steel
AISI 304



Morsetto a collare / Clamp collar / Klemmschelle

Part	Article-Nr.
425	42501



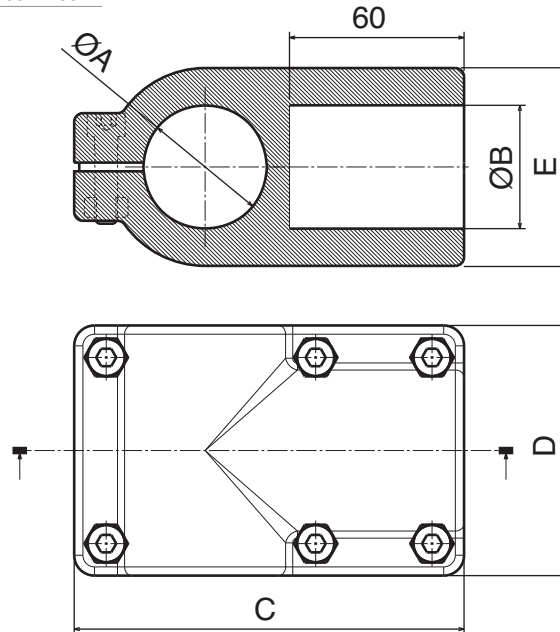
Stainless steel
AISI 304

Materiale:	Material:	Materialien:
Giunto: Poliammide	Joint: Polyamide	Verbinder: Polyamid
Viti e rondelle: Acciaio inox	Screws and washers: Stainless steel	Schrauben und Scheibe: Edelstahl
Dadi: ottone nichelato	Nuts: nickel plated brass	Mutter: Messing vernickelt

Giunto di collegamento / Connecting joint / Verbindungselement

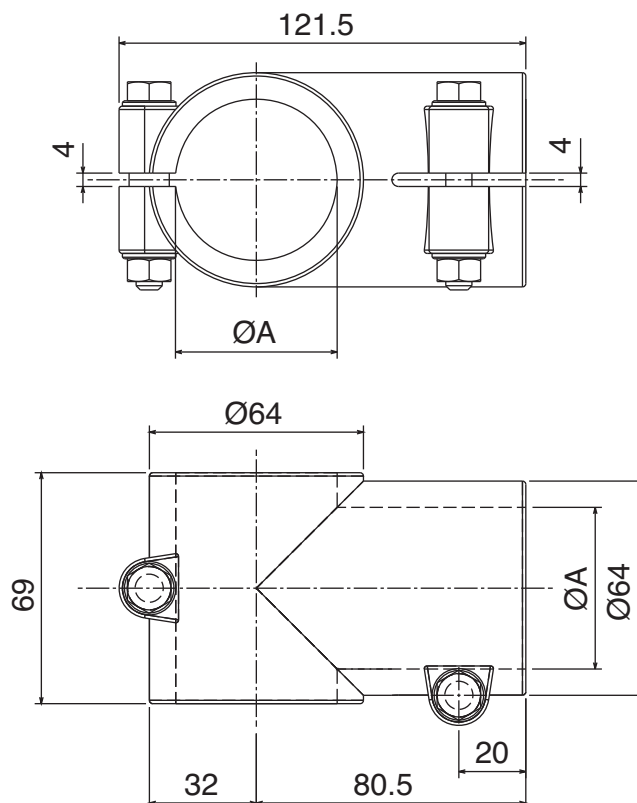


Part	Article-Nr.	ØA	ØB	C	D	E
413	41301	48,3	48,3	134	86	68
413	41302	60,3	48,3	146	98	80
413	41303	60,3	60,3	146	98	80



Giunto di collegamento / Connecting joint / Verbindungselement

Part	Article-Nr.	ØA
417	41701	48,3
417	41702	50,9



Materiale:
Acciaio inox

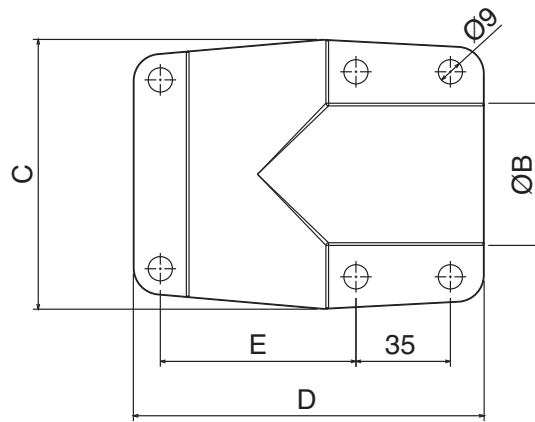
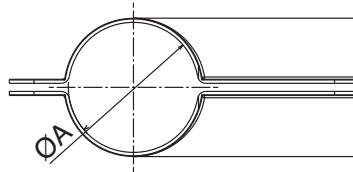
Material:
Stainless steel

Materialien:
Edelstahl



Giunto di collegamento (acciaio inox) / Connecting joint (SS) / Verbindungselement (Edelstahl)

Part	Article-Nr.	ØA	ØB	C	D	E
414	41401	48,3	48,3	100	130	72,5
414	41402	60,3	60,3	110	130	92,5



Stainless steel
AISI 304

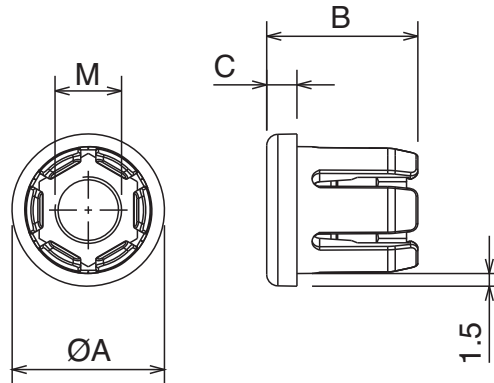


Materiale:	Material:	Materialien:
Tappo: Poliammide	Plug: Polyamide	Stopfen: Polyamid
Inserti: PA o ottone nichelato	Inserts: PA or nickel plated brass	Einsatz: PA oder Messing vernickelt

Tappi ad espansione / Expansions plugs / Gewindezapfen, Spreizbar



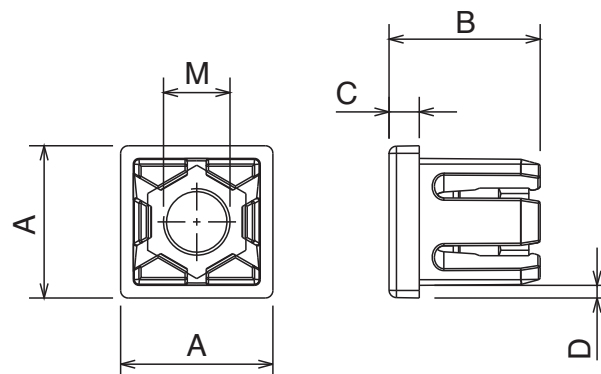
Part	Article-Nr.		ØA	B	C	M
	Brass Bush	PA Bush				
419	41901	-	20	20	4	M8
419	41902	-	20	20	4	M10
419	41903	41913	38	40	5	M8
419	41904	41914	38	40	5	M10
419	41905	41915	42,4	40	5	M8
419	41906	41916	42,4	40	5	M10

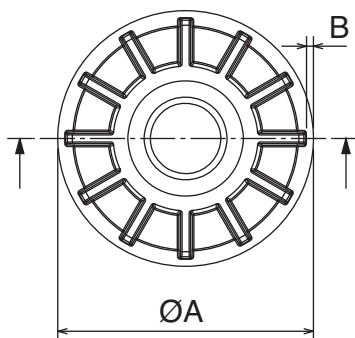
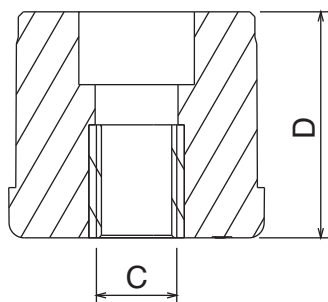


Tappi ad espansione / Expansions plugs / Gewindezapfen, Spreizbar



Part	Article-Nr.		A	B	C	D	M
	Brass Bush	PA Bush					
420	42001	-	20	20	4	1,5	M8
420	42002	-	20	20	4	1,5	M10
420	42003	-	20	20	4	2	M8
420	42004	-	20	20	4	2	M10
420	42005	42015	40	40	5	2	M8
420	42006	42016	40	40	5	2	M10





Materiale:	Material:	Materialien:
Tappo: Poliammide	Plug: Polyamide	Stopfen: Polyamid
Inserti: ottone nichelato	Inserts: nickel plated brass	Einsatz: Messing vernickelt

Tappi tondi filettati / Threaded bushings for round tubes / Gewindezapfen f. Rund-Rohr

Part	Article-Nr.	ØA	B	C	D	Part	Article-Nr.	ØA	B	C	D
415	41507			M10	33	415	41553			M10	48
415	41508		1	M12	33	415	41554			M12	48
415	41509			M14	33	415	41555		2	M14	48
415	41510			M16	33	415	41556			M16	48
415	41511			M10	33	415	41557		48,3	M20	48
415	41512		1,5	M12	33	415	41558			M10	48
415	41513			M14	33	415	41559			M12	48
415	41514			M16	33	415	41560		2,5	M14	48
415	41515	30		M10	33	415	41561			M16	48
415	41516		2	M12	33	415	41562			M20	48
415	41517			M14	33	415	41563			M10	50
415	41518			M16	33	415	41564			M12	50
415	41519			M10	33	415	41565	50	1,5	M14	50
415	41520		2,5	M12	33	415	41503			M16	50
415	41521			M14	33	415	41504			M20	50
415	41522			M16	33	415	41566			M10	50
415	41523			M10	40	415	41567			M12	50
415	41524		1,5	M12	40	415	41568		1,5	M14	50
415	41525			M14	40	415	41569			M16	50
415	41526			M16	40	415	41570			M20	50
415	41527			M10	40	415	41571			M10	50
415	41528		2	M12	40	415	41572			M12	50
415	41529	38		M14	40	415	41573	50,9	2	M14	50
415	41530			M16	40	415	41574			M16	50
415	41531			M10	40	415	41575			M20	50
415	41532		2,5	M12	40	415	41576			M10	50
415	41533			M14	40	415	41577			M12	50
415	41534			M16	40	415	41578		2,5	M14	50
415	41535			M10	43	415	41579			M16	50
415	41536			M12	43	415	41580			M20	50
415	41537		1,5	M14	43	415	41581			M10	55
415	41538			M16	43	415	41582			M12	55
415	41539			M20	43	415	41583		1,5	M14	55
415	41540			M10	43	415	41584			M16	55
415	41541			M12	43	415	41585			M20	55
415	41542	42,4	2	M14	43	415	41586			M10	55
415	41543			M16	43	415	41587			M12	55
415	41544			M20	43	415	41588	60,3	2	M14	55
415	41545			M10	43	415	41505			M16	55
415	41546			M12	43	415	41506			M20	55
415	41547		2,5	M14	43	415	41589			M10	55
415	41548			M16	43	415	41590			M12	55
415	41549			M20	43	415	41591		2,5	M14	55
415	41550			M10	48	415	41592			M16	55
415	41551			M12	48	415	41593			M20	55
415	41552	48,3	1,5	M14	48						
415	41501			M16	48						
415	41502			M20	48						

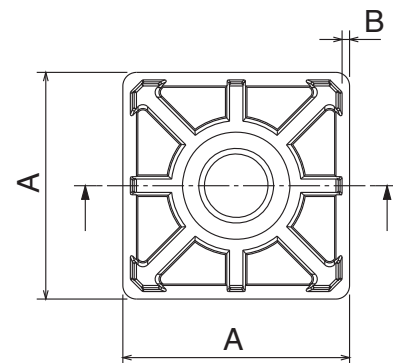
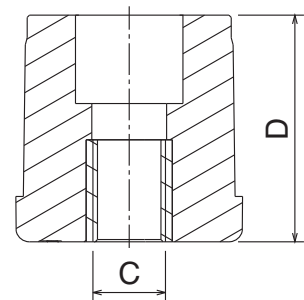
Materiale:	Material:	Materialien:
Tappo: Poliammide	Plug: Polyamide	Stopfen: Polyamid
Inseriti: ottone nichelato	Inserts: nickel plated brass	Einsatz: Messing vernickelt

Tappi quadrati filettati / Threaded bushings for square tubes / Gewindezapfen f. Vierkant-Rohr



Part	Article-Nr.	A	B	C	D
416	41601	25	1,5	M10	30
416	41602			M12	30
416	41611			M10	33
416	41603		1,5	M12	33
416	41612			M14	33
416	41604			M16	33
416	41613	30		M10	33
416	41614		2	M12	33
416	41615			M14	33
416	41616			M16	33
416	41617			M10	40
416	41618			M12	40
416	41619		1,5	M14	40
416	41620			M16	40
416	41621			M20	40
416	41622	35		M10	40
416	41623			M12	40
416	41624		2	M14	40
416	41625			M16	40
416	41626			M20	40
416	41681			M10	43
416	41682			M12	43
416	41683		1,6	M14	43
416	41684			M16	43
416	41685			M20	43
416	41686	38,1		M10	43
416	41687			M12	43
416	41688		3	M14	43
416	41689			M16	43
416	41690			M20	43
416	41627			M10	43
416	41628			M12	43
416	41629		1,2	M14	43
416	41630			M16	43
416	41631			M20	43
416	41632			M10	43
416	41605			M12	43
416	41633		1,5	M14	43
416	41606			M16	43
416	41634			M20	43
416	41635	40		M10	43
416	41636			M12	43
416	41637		2	M14	43
416	41607			M16	43
416	41608			M20	43
416	41638			M10	43
416	41639			M12	43
416	41640		2,5	M14	43
416	41641			M16	43
416	41642			M20	43

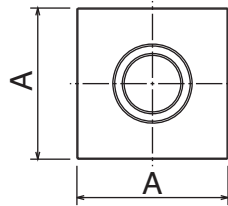
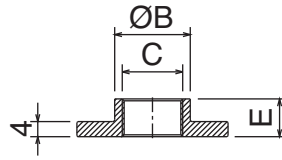
Part	Article-Nr.	A	B	C	D
416	41643			M10	45
416	41644			M12	45
416	41645	45	2	M14	45
416	41646			M16	45
416	41647			M20	45
416	41648			M10	50
416	41649			M12	50
416	41650		1,2	M14	50
416	41651			M16	50
416	41652			M20	50
416	41653			M10	50
416	41654			M12	50
416	41655		1,5	M14	50
416	41656			M16	50
416	41657			M20	50
416	41658			M10	50
416	41659			M12	50
416	41660	50	2	M14	50
416	41609			M16	50
416	41610			M20	50
416	41661			M10	50
416	41662			M12	50
416	41663		2,5	M14	50
416	41664			M16	50
416	41665			M20	50
416	41666			M10	50
416	41667			M12	50
416	41668		3	M14	50
416	41669			M16	50
416	41670			M20	50
416	41671			M10	55
416	41672			M12	55
416	41673		2	M14	55
416	41674			M16	55
416	41675			M20	55
416	41676	60		M10	55
416	41677			M12	55
416	41678		3	M14	55
416	41679			M16	55
416	41680			M20	55



Materiale:	Material:	Materialien:
Tappi: Acciaio Inox	Plug: SS	Stopfen: Edelstahl



Tappi quadri filettati / Threaded bushings for square tube / Gewindezapfen f. Vierkant-Rohr

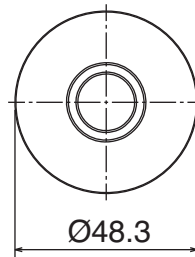
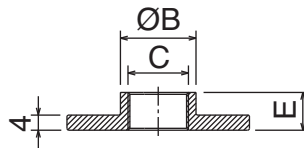


Part	Article-Nr.	A	C	ØB	E
428	42801	40	M16	20	10
428	42802	40	M20	23	11,5
428	42803	45	M16	20	10
428	42804	45	M20	23	11,5
428	42805	50	M16	20	10
428	42806	50	M20	23	11,5
428	42807	60	M16	20	10
428	42808	60	M20	23	11,5

**Stainless steel
 AISI 304**



Tappi tondi filettati / Threaded bushings for round tube / Gewindezapfen f. Rund-Rohr

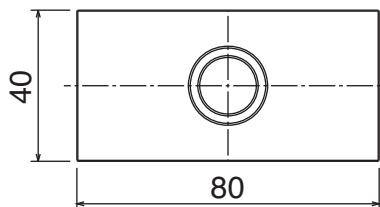
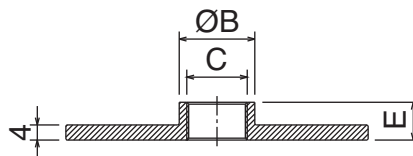


Part	Article-Nr.	C	ØB	E
429	42901	M16	20	10
429	42902	M20	23	11,5

**Stainless steel
 AISI 304**



Tappi rettangolari filettati / Threaded bushings for rectangular tube / Gewindezapfen f. Rechteck



Part	Article-Nr.	C	ØB	E
430	43001	M16	20	10
430	43002	M20	23	11,5

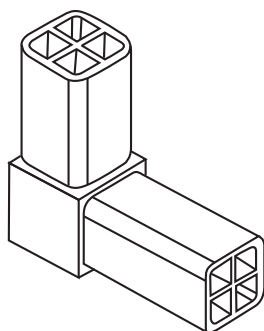
**Stainless steel
 AISI 304**

Materiale:	Material:	Materialien:
Poliamide	Polyamide	Polyamid

Giunto di collegamento / Connecting joint / Verbindungselement

Part	Article-Nr.	Type
418	41801	A
418	41802	B
418	41803	C
418	41804	D
418	41805	E
418	41806	F
418	41807	G
418	41808	H

For tubes
25x25x1,5 mm



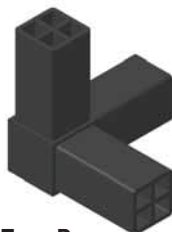
Type A



Type B



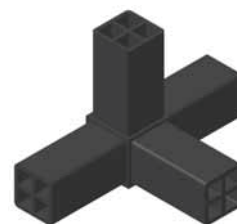
Type C



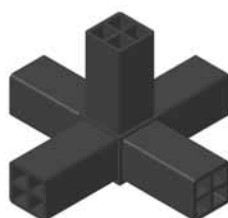
Type D



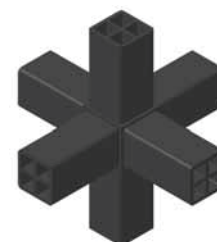
Type E



Type F



Type G



Type H



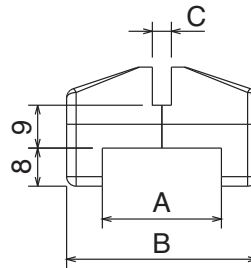
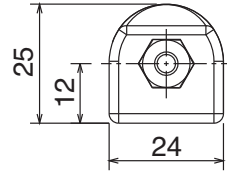
Materiale:
Poliammide

Material:
Polyamide

Materialien:
Polyamid



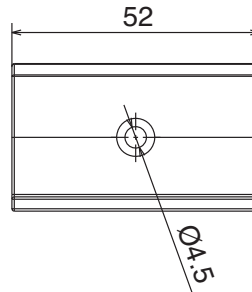
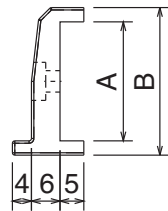
Blocco per pannelli / Panel clamp / Panelklemme



Part	Article-Nr.	A	B	C
421	42101	25	40	4
421	42102	25	40	5
421	42103	25	40	6
421	42104	30	45	4
421	42105	30	45	5
421	42106	30	45	6



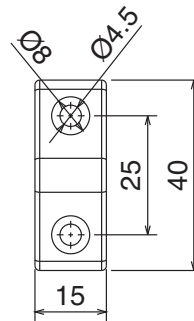
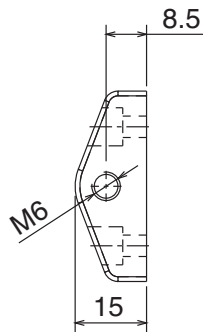
Fermaporta / Door stop / Türstopper



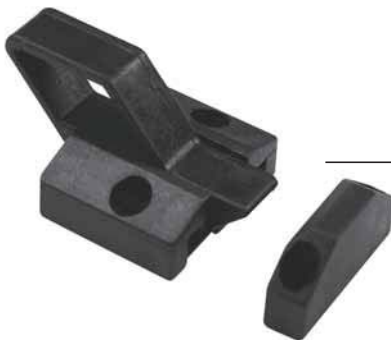
Part	Article-Nr.	A	B
422	42201	25	31
422	42202	30	36



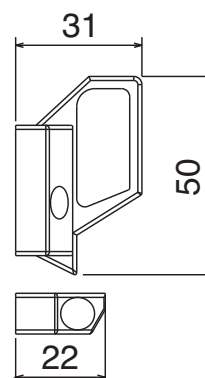
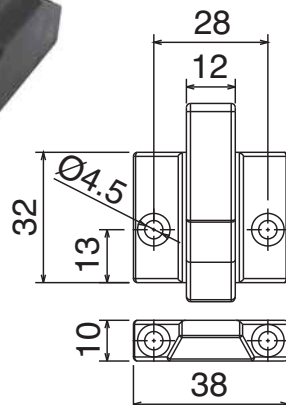
Blocchetto di fissaggio / Fixing lock / Anschlag



Part	Article-Nr.
423	42301



Fermaporta a molla / Spring loaded latch / Türverschluss



Part	Article-Nr.
424	42401