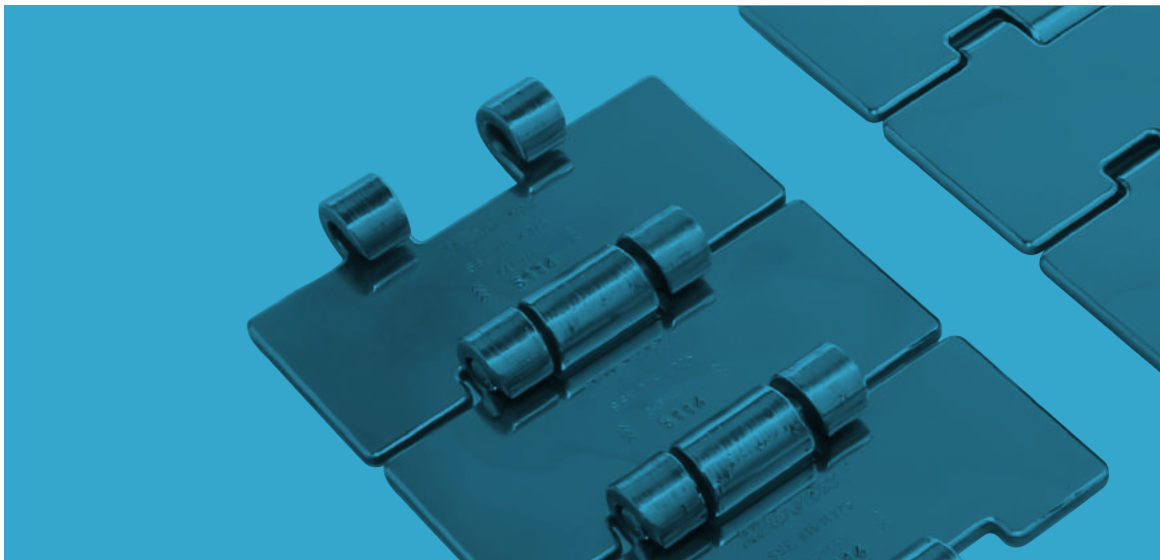




Ocel'ové ret'aze



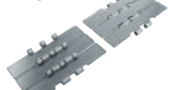
Steel chains

812/815



Pag 8/9

802/805



Pag 10

8157



Pag 10

512



Pag 11

881 M



Pag 12/13

881 TAB



Pag 14

881 B



Pag 15

8811 TAB



Pag 16

8811 B



Pag 17

8857 M



Pag 18

815 MINI



Pag 19

812 GT/815 GT



Pag 20

815 TAB GT



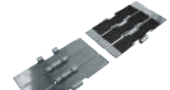
Pag 21

802 GT/805 GT



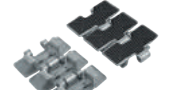
Pag 22

8157 GT



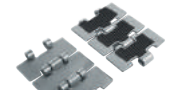
Pag 23

8811 TAB GT



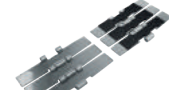
Pag 24

881 M GT



Pag 25

8857 M GT



Pag 26

1874 TAB

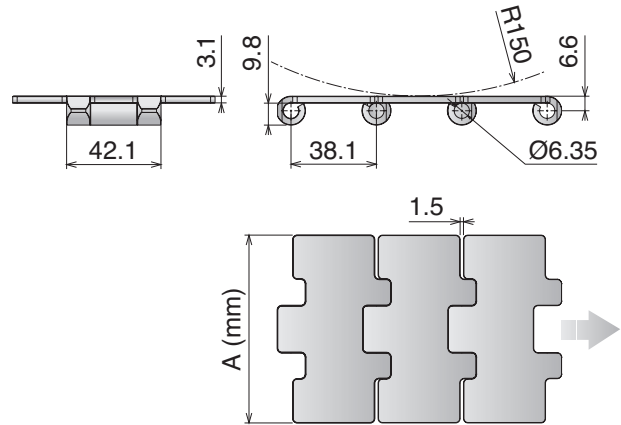


Pag 27

815

Catena rettilinea
Straight running chain / Geradegängige Scharnierbandkette

Pins: Martensitic 1.4057 | Backflex radius min.: 150 mm

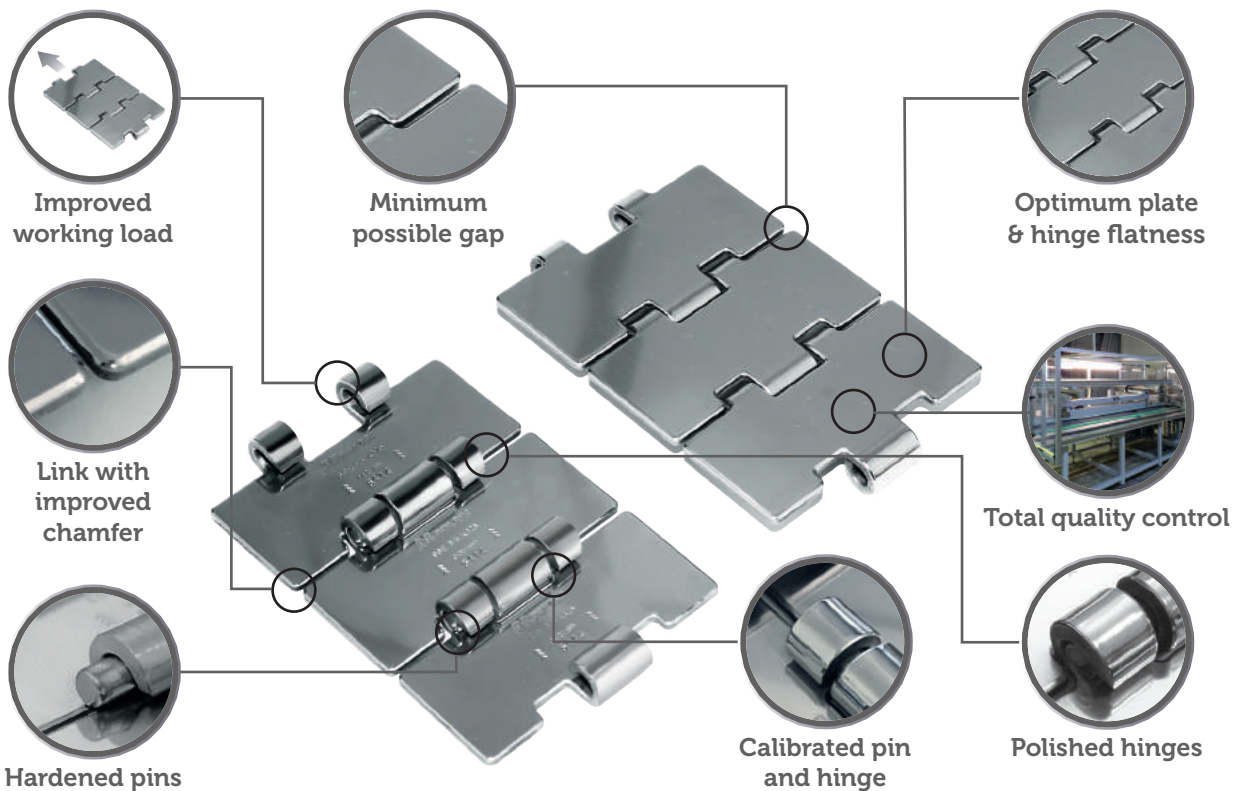


Article-Nr.	Ref.	A (Plate Width) mm	Weight kg/m	Surface finish µm	Surface Flatness mm	Polished Hinge eyes	Max working load (N)	Plate Thickness mm
-------------	------	--------------------	-------------	-------------------	---------------------	---------------------	----------------------	--------------------

SSM Max Speed - Hardened pins

10010302	SSM 815 K325	82,5	2,55	0,2	0,08	YES	6000	3,1
10010303	SSM 815 K330	83,8	2,59	0,2	0,08	YES		

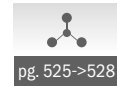
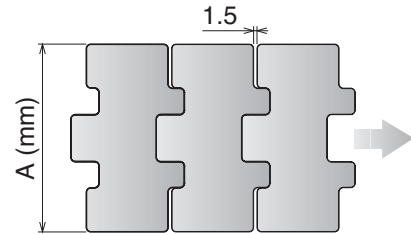
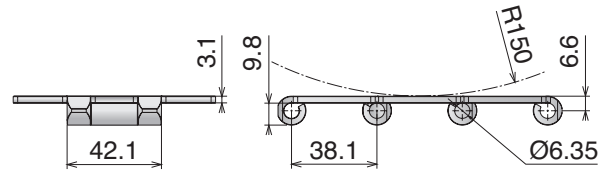
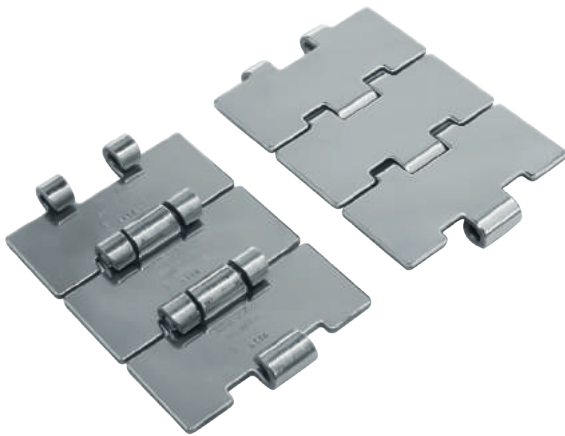
Max Speed High Performance



812/815

Catena rettilinea
Straight running chain / Geradegängige Scharnierbandkette

Pins: Martensitic 1.4057 | Backflex radius min.: 150 mm



Article-Nr.	Ref.	A (Plate Width) mm	Weight kg/m	Surface finish µm	Surface Flatness mm	Polished Hinge eyes	Max working load (N)	Plate Thickness mm
-------------	------	--------------------	-------------	-------------------	---------------------	---------------------	----------------------	--------------------

SS Ferritic Stainless Steel (1.4016)

10010216	SS 812 K300	76,2	2,50	0,5	0,15	NO	5400	3,1
10010202	SS 812 K325	82,5	2,55	0,5	0,15	NO		
10010203	SS 812 K330	83,8	2,59	0,5	0,15	NO		
10010204	SS 812 K350	88,9	2,69	0,5	0,15	NO		
10010214	SS 812 K400	101,6	3,00	0,5	0,15	NO		
10010205	SS 812 K450	114,3	3,25	0,5	0,20	NO		
10010206	SS 812 K600	152,4	4,15	0,5	0,30	NO		
10010207	SS 812 K750	190,5	5,05	0,5	0,30	NO		

SSE Specially treated Ferritic Stainless Steel (1.4589) - Hardened pins

10010102	SSE 815 K325	82,5	2,55	0,3	0,10	YES	6000	3,1
10010103	SSE 815 K330	83,8	2,59	0,3	0,10	YES		
10010104	SSE 815 K350	88,9	2,69	0,3	0,15	NO		
10010114	SSE 815 K400	101,6	3,00	0,3	0,15	NO		
10010105	SSE 815 K450	114,3	3,25	0,3	0,20	NO		
10010106	SSE 815 K600	152,4	4,15	0,3	0,30	NO		
10010107	SSE 815 K750	190,5	5,05	0,3	0,30	NO		

SSA Austenitic Stainless Steel (AISI 304) - Austenitic pin

10010402	SSA 815 K325	82,5	2,55	0,5	0,15	NO	5300	3,1
10010403	SSA 815 K330	83,8	2,59	0,5	0,15	NO		
10010404	SSA 815 K350	88,9	2,69	0,5	0,15	NO		
10010405	SSA 815 K450	114,3	3,25	0,5	0,20	NO		
10010406	SSA 815 K600	152,4	4,15	0,5	0,30	NO		
10010407	SSA 815 K750	190,5	5,05	0,5	0,30	NO		

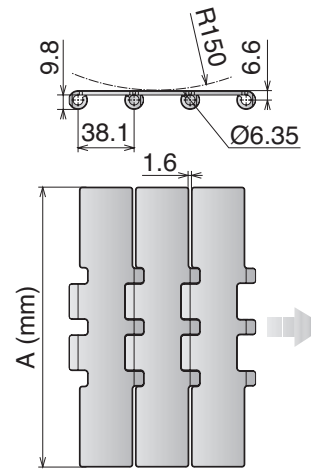
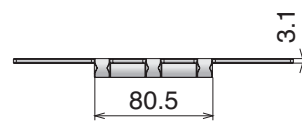
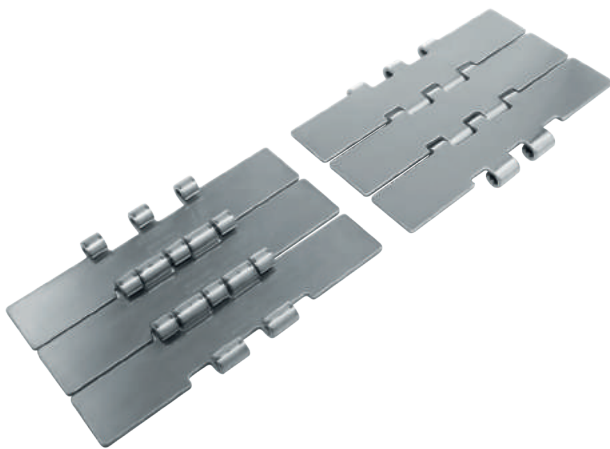
802/805-8157

Catene in acciaio / Steel chains / Scharnierbandketten aus Edelstahl

802/805

Catena rettilinea
Straight running chain / Geradegängige Scharnierbandkette

Pins: Martensitic 1.4057 | Backflex radius min.: 150 mm

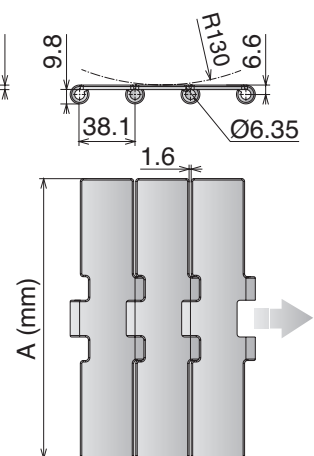
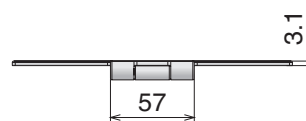
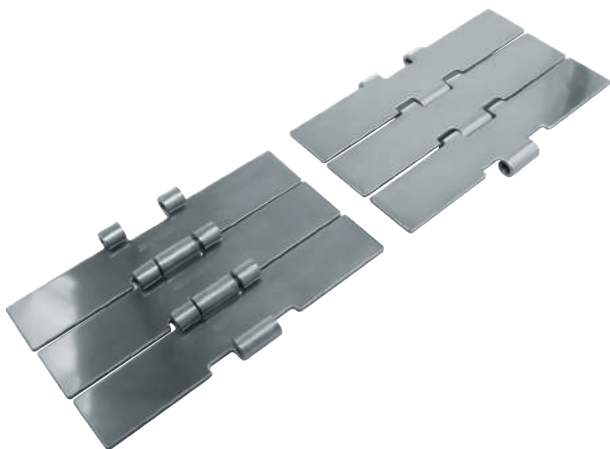


Article-Nr.	Ref.	A (Plate Width) mm	Weight kg/m	Surface finish µm	Max working load (N)	Plate Thickness mm
SS Ferritic Stainless Steel (1.4016)						
10030207	SS 802 K750	190,5	5,80	0,6	7000	3,1
SSE Specially treated Ferritic Stainless Steel (1.4589) - Hardened pins						
10030107	SSE 805 K750	190,5	5,80	0,3	9000	3,1
SSA Austenitic Stainless Steel (AISI 304) - Austenitic pin						
10030407	SSA 805 K750	190,5	5,80	0,6	8700	3,1

8157

Catena rettilinea
Straight running chain / Geradegängige Scharnierbandkette

Pins: Martensitic 1.4057 | Backflex radius min.: 130 mm

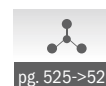
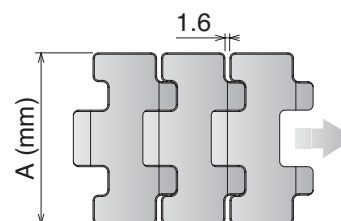
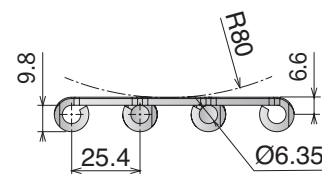
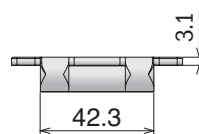
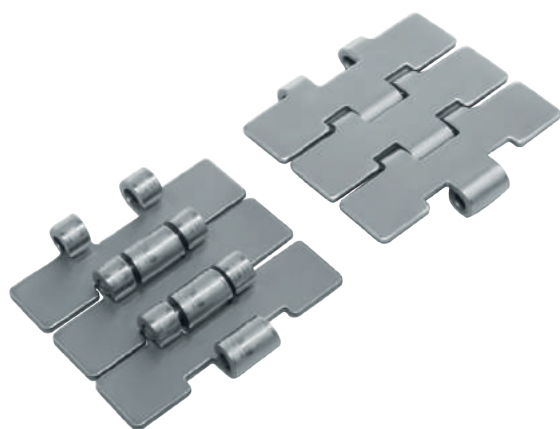


Article-Nr.	Ref.	A (Plate Width) mm	Weight kg/m	Surface finish µm	Max working load (N)	Plate Thickness mm
SSE Specially treated Ferritic Stainless Steel (1.4589) - Hardened pins						
10050107	SSE 8157 K750	190,5	5,60	0,3	7000	3,1

512

Catena rettilinea
Straight running chain / Geradegängige Scharnierbandkette

Pins: Martensitic 1.4057 | Backflex radius min.: 80 mm



Article-Nr.	Ref.	A (Plate Width) mm	Weight kg/m	Surface finish μm	Max working load (N)	Plate Thickness mm
-------------	------	--------------------	-------------	------------------------------	----------------------	--------------------

SSE Specially treated Ferritic Stainless Steel (1.4589) - Hardened pins

10070100	SSE 512 K217	55,1	2,30	0,3	5000	3,1
10070101	SSE 512 K236	59,9	2,40	0,3		
10070108	SSE 512 K250	63,5	2,45	0,3		
10070109	SSE 512 K283	71,9	2,65	0,3		
10070102	SSE 512 K325	82,5	2,90	0,3		
10070104	SSE 512 K350	88,9	3,00	0,3		
10070114	SSE 512 K400	101,6	3,30	0,3		

SSA Austenitic Stainless Steel (AISI 304) - Austenitic pin

10070400	SSA 512 K217	55,1	2,30	0,3	4500	3,1
10070401	SSA 512 K236	59,9	2,40	0,3		
10070408	SSA 512 K250	63,5	2,45	0,3		
10070409	SSA 512 K283	71,9	2,65	0,3		
10070414	SSA 512 K400	101,6	3,30	0,3		

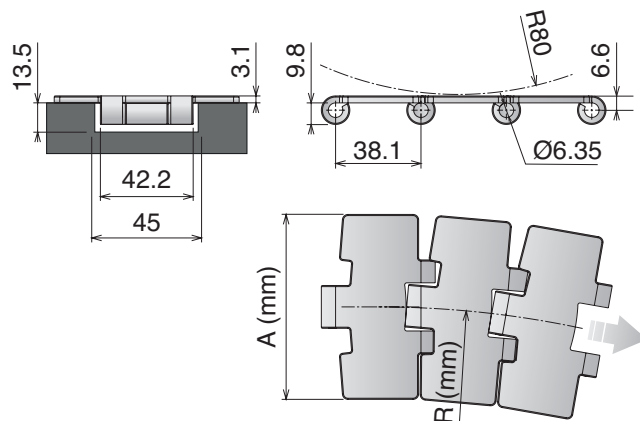
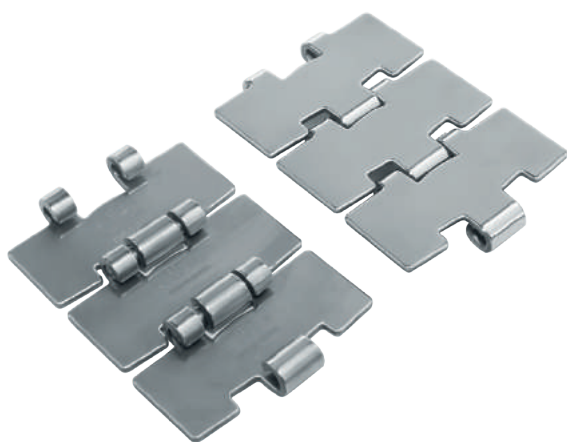
881 M

Catene in acciaio / Steel chains / Scharnierbandketten aus Edelstahl

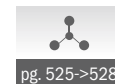
881 M

Catena curvilinea
Sideflexing chain / Kurvengängige Scharnierbandkette

Pins: Martensitic 1.4057 | Backflex radius min.: 80 mm



Magnetic System

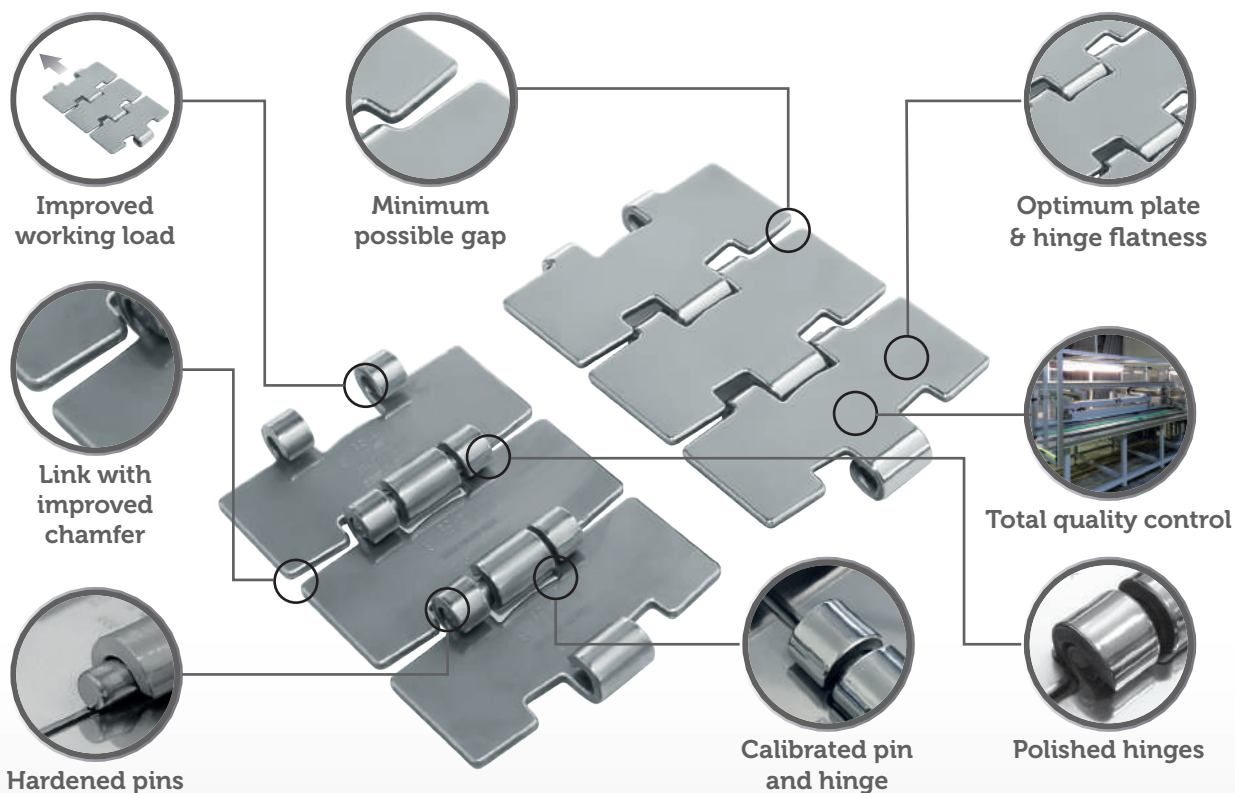


Article-Nr.	Ref.	A (Plate Width) mm	R mm	Weight kg/m	Surface finish µm	Surface Flatness mm	Polished Hinge eyes	Max working load (N)	Plate Thickness mm
-------------	------	--------------------	------	-------------	-------------------	---------------------	---------------------	----------------------	--------------------

SSM Max Speed - Hardened pins

10080302	SSM 881 M0 K325	82,5	500	2,55	0,2	0,08	YES	6000	3,1
10080303	SSM 881 M0 K330	83,8	500	2,59	0,2	0,08	YES		

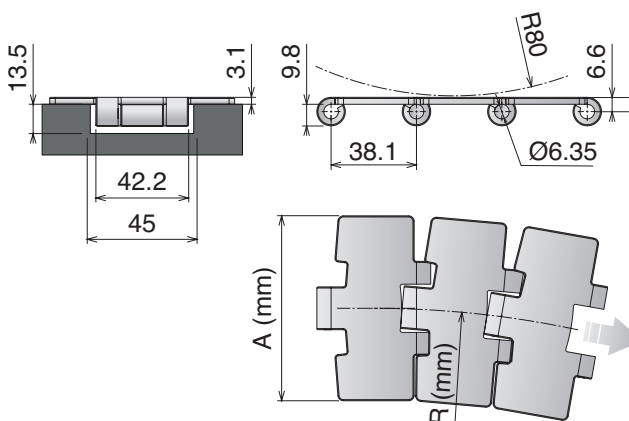
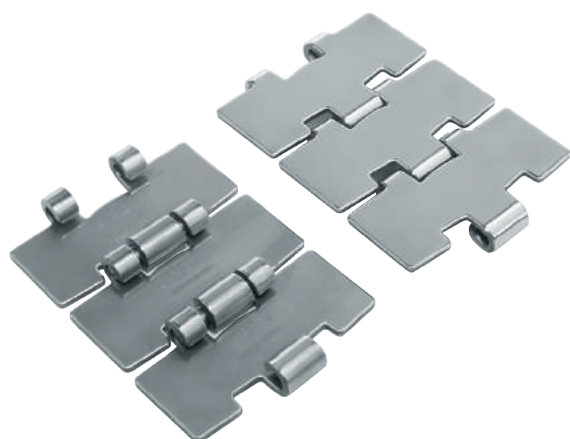
Max Speed High Performance



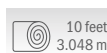
881 M

Catena curvilinea
Sideflexing chain / Kurvengängige Scharnierbandkette

Pins: Martensitic 1.4057 | Backflex radius min.: 80 mm



Magnetic System



80 links



pg. 84-85/110



pg. 115->130



pg. 525->528

Article-Nr.	Ref.	A (Plate Width) mm	R mm	Weight kg/m	Surface finish μm	Surface Flatness mm	Polished Hinge eyes	Max working load (N)	Plate Thickness mm
SS Ferritic Stainless Steel (1.4016)									
10080202	SS 881 M0 K325	82,5	500	2,55	0,5	0,15	YES	5400	3,1
10080203	SS 881 M0 K330	83,8	500	2,59	0,5	0,15	YES		
10080205	SS 881 M0 K450	114,3	500	3,10	0,5	0,20	YES		
10080207	SS 881 M0 K750	190,5	500	4,85	0,5	0,30	YES		
SSE Specially treated Ferritic Stainless Steel (1.4589) - Hardened pins									
10080102	SSE 881 M0 K325	82,5	500	2,55	0,3	0,10	YES	6000	3,1
10080103	SSE 881 M0 K330	83,8	500	2,59	0,3	0,10	YES		
10080105	SSE 881 M0 K450	114,3	500	3,10	0,3	0,20	YES		
10080107	SSE 881 M0 K750	190,5	500	4,85	0,3	0,30	YES		

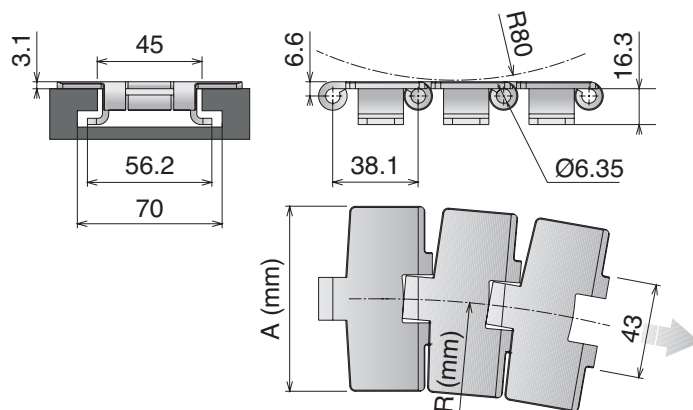
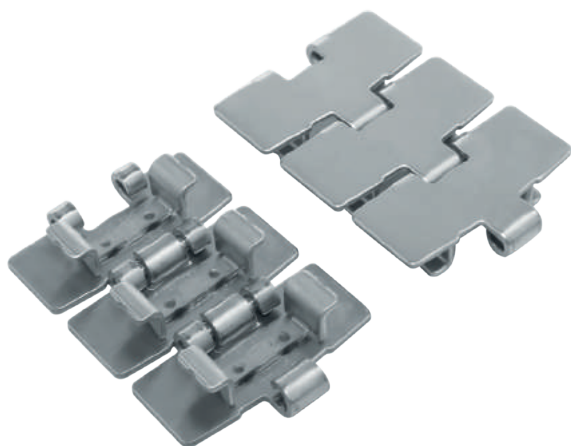
881 TAB

Catene in acciaio / Steel chains / Scharnierbandketten aus Edelstahl

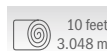
881 TAB

Catena curvilinea
Sideflexing chain / Kurvengängige Scharnierbandkette

Pins: Martensitic 1.4057 | Backflex radius min.: 80 mm



Tab System



80 links



pg. 84-85/110



pg. 163/169



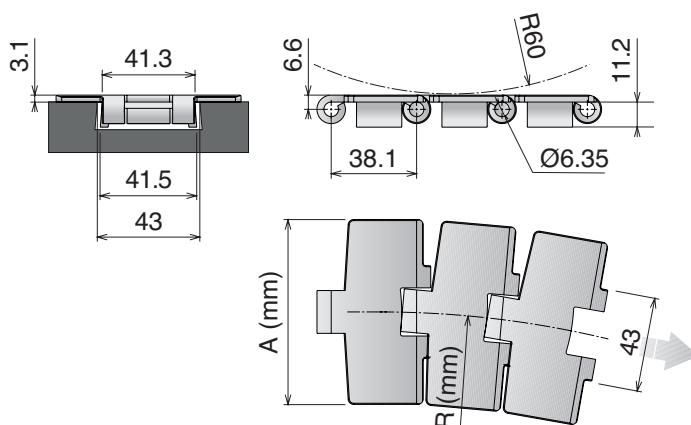
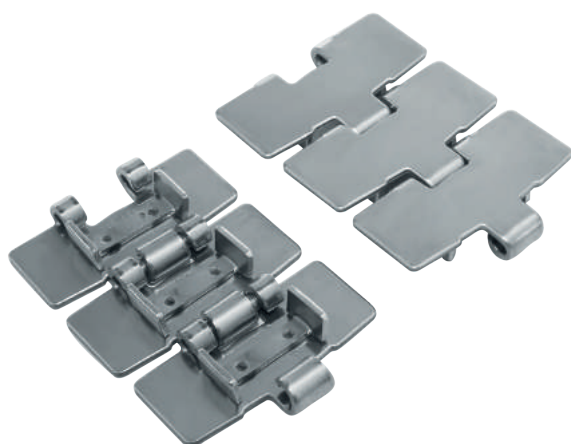
pg. 525->528

Article-Nr.	Ref.	A (Plate Width) mm	R mm	Weight kg/m	Surface finish µm	Max working load (N)	Plate Thickness mm
SS Ferritic Stainless Steel (1.4016)							
10100202	SS 881 TAB K325	82,5	457	3,00	0,3	5400	3,1
SSE Specially treated Ferritic Stainless Steel (1.4589) - Hardened pins							
10100102	SSE 881 TAB K325	82,5	457	3,00	0,3	6000	3,1
10100105	SSE 881 TAB K450	114,3	500	3,69	0,3		
10100107	SSE 881 TAB K750	190,5	500	5,50	0,3		
SSA Austenitic Stainless Steel (AISI 304) - Austenitic pin							
10100402	SSA 881 TAB K325	82,5	457	3,00	0,3	4500	3,1
10100405	SSA 881 TAB K450	114,3	500	3,69	0,3		
10100407	SSA 881 TAB K750	190,5	500	5,50	0,3		

881 B

Catena curvilinea
Sideflexing chain / Kurvengängige Scharnierbandkette

Pins: Martensitic 1.4057 | Backflex radius min.: 60 mm



Bevel System

10 feet 3.048 m	pg. 84-85/110	pg. 168	pg. 525->528
80 links			

Article-Nr.	Ref.	A (Plate Width) mm	R mm	Weight kg/m	Surface finish µm	Max working load (N)	Plate Thickness mm
SSE Specially treated Ferritic Stainless Steel (1.4589) - Hardened pins							
10120102	SSE 881 K325	82,5	457	2,95	0,3	6000	3,1
10120104	SSE 881 K350	88,9	500	3,00	0,3		
10120105	SSE 881 K450	114,3	500	3,65	0,3		
10120107	SSE 881 K750	190,5	500	5,45	0,3		
SSA Austenitic Stainless Steel (AISI 304) - Austenitic pin							
10120402	SSA 881 K325	82,5	457	2,95	0,3	4500	3,1
10120405	SSA 881 K450	114,3	500	3,65	0,3		
10120407	SSA 881 K750	190,5	500	5,45	0,3		

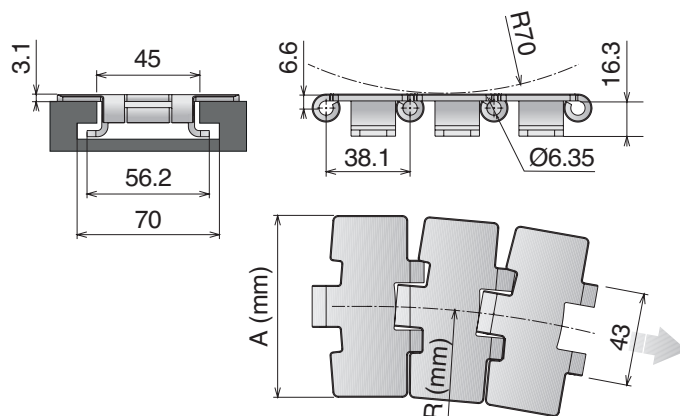
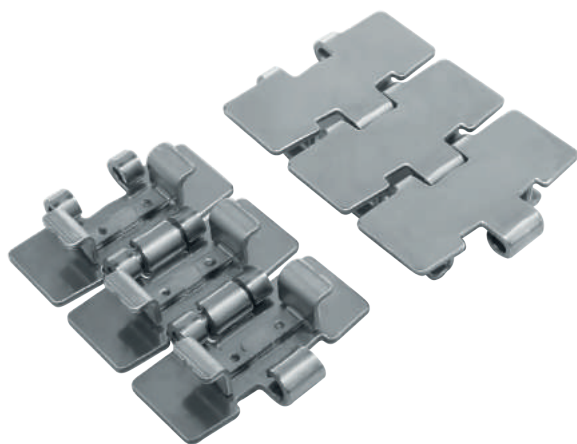
8811 TAB

Catene in acciaio / Steel chains / Scharnierbandketten aus Edelstahl

8811 TAB

Catena curvilinea
Sideflexing chain / Kurvengängige Scharnierbandkette

Pins: Martensitic 1.4057 | Backflex radius min.: 70 mm



Tab System

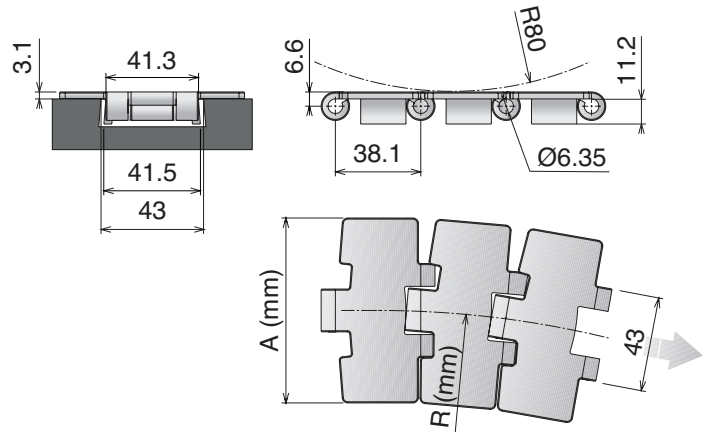
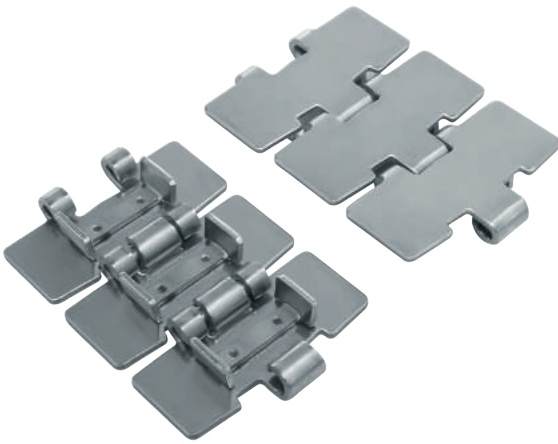
10 feet 3.048 m			
80 links	pg. 84-85/110	pg. 163/169	pg. 525->528

Article-Nr.	Ref.	A (Plate Width) mm	R mm	Weight kg/m	Surface finish µm	Max working load (N)	Plate Thickness mm
SS Ferritic Stainless Steel (1.4016)							
10140202	SS 8811 TAB K325	82,5	500	2,95	0,3	5400	3,1
10140203	SS 8811 TAB K330	83,8	500	3,05	0,3		
10140205	SS 8811 TAB K450	114,3	610	3,65	0,3		
10140207	SS 8811 TAB K750	190,5	610	5,45	0,3		
SSE Specially treated Ferritic Stainless Steel (1.4589) - Hardened pins							
10140102	SSE 8811 TAB K325	82,5	500	2,95	0,3	6000	3,1
10140103	SSE 8811 TAB K330	83,8	500	3,05	0,3		
10140104	SSE 8811 TAB K350	88,9	500	3,15	0,3		
10140105	SSE 8811 TAB K450	114,3	500	3,65	0,3		
10140107	SSE 8811 TAB K750	190,5	500	5,45	0,3		
SSA Austenitic Stainless Steel (AISI 304) - Austenitic pin							
10140402	SSA 8811 TAB K325	82,5	500	2,95	0,3	4500	3,1
10140403	SSA 8811 TAB K330	83,8	500	3,05	0,3		
10140405	SSA 8811 TAB K450	114,3	500	3,65	0,3		
10140407	SSA 8811 TAB K750	190,5	500	5,45	0,3		

8811 B

Catena curvilinea
Sideflexing chain / Kurvengängige Scharnierbandkette

Pins: Martensitic 1.4057 | Backflex radius min.: 80 mm



Bevel System

10 feet 3.048 m	pg. 84-85/110	pg. 168	pg. 525->528
80 links			

Article-Nr.	Ref.	A (Plate Width) mm	R mm	Weight kg/m	Surface finish µm	Max working load (N)	Plate Thickness mm
SSE Specially treated Ferritic Stainless Steel (1.4589) - Hardened pins							
10160102	SSE 8811 K325	82,5	500	2,90	0,3	6000	3,1
10160104	SSE 8811 K350	88,9	500	3,15	0,3		
10160105	SSE 8811 K450	114,3	500	3,60	0,3		
10160107	SSE 8811 K750	190,5	500	5,40	0,3		
SSA Austenitic Stainless Steel (AISI 304) - Austenitic pin							
10160402	SSA 8811 K325	82,5	500	2,90	0,3	4500	3,1
10160404	SSA 8811 K350	88,9	500	3,15	0,3		
10160405	SSA 8811 K450	114,3	500	3,60	0,3		
10160407	SSA 8811 K750	190,5	500	5,40	0,3		

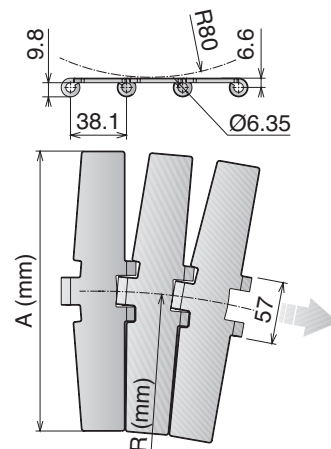
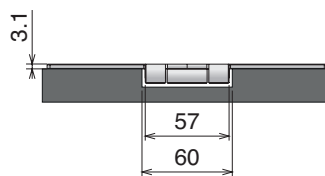
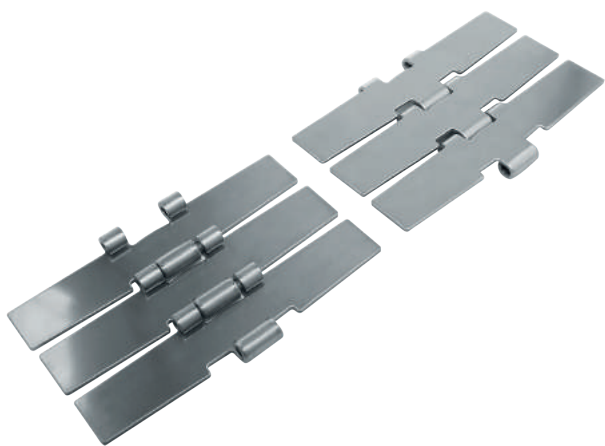
8857 M

Catene in acciaio / Steel chains / Scharnierbandketten aus Edelstahl

8857 M

Catena curvilinea
Sideflexing chain / Kurvengängige Scharnierbandkette

Pins: Martensitic 1.4057 | Backflex radius min.: 80 mm



Magnetic System



80 links



pg. 87-97/110



pg. 131->136

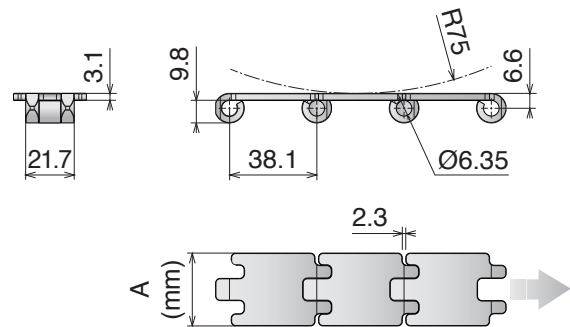
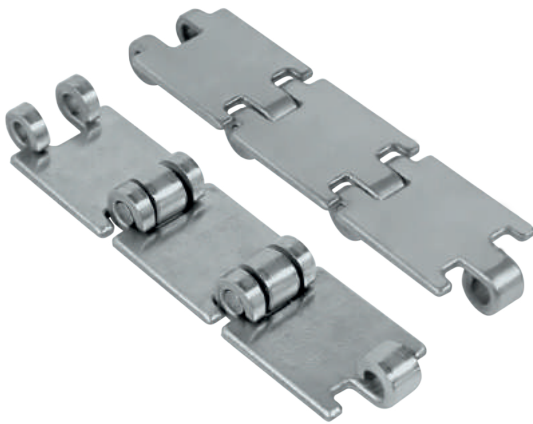


pg. 525->528

Article-Nr.	Ref.	A (Plate Width) mm	R mm	Weight kg/m	Surface finish µm	Max working load (N)	Plate Thickness mm
SSE Specially treated Ferritic Stainless Steel (1.4589) - Hardened pins							
10180107	SSE 8857 M K750	190,5	750	5,30	0,3	7000	3,1

815 MINI Catena rettilinea Straight running chain / Geradegängige Scharnierbandkette

Pins: Martensitic 1.4057 | Backflex radius min.: 75 mm



Article-Nr.	Ref.	A (Plate Width) mm	Weight kg/m	Max working load (N)	Plate Thickness mm
SSE Specially treated Ferritic Stainless Steel (1.4589) - Hardened pins					
10210117	SSE 815 K125	31,75	1,07	3000	3,1
10210118	SSE 815 K175	44,45	1,35		

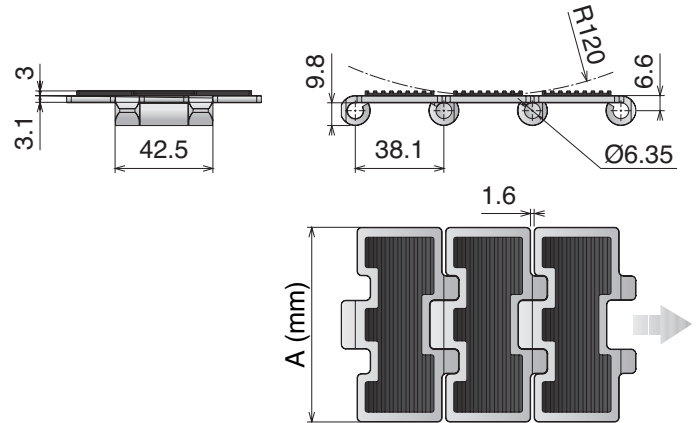
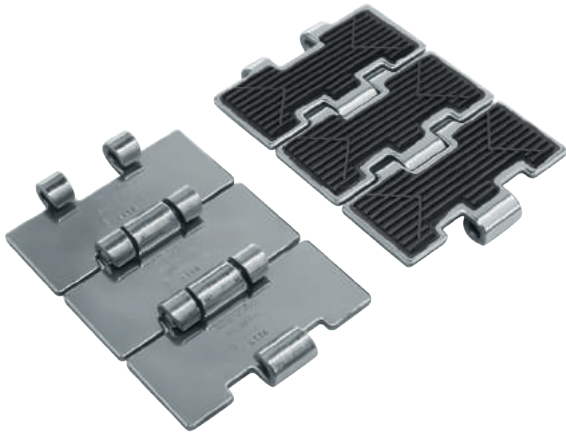
812 GT/815 GT

Catene in acciaio / Steel chains / Scharnierbandketten aus Edelstahl

812 GT/815 GT

Catena rettilinea
Straight running chain / Geradegängige Scharnierbandkette

Pins: Martensitic 1.4057 | Backflex radius min.: 120 mm

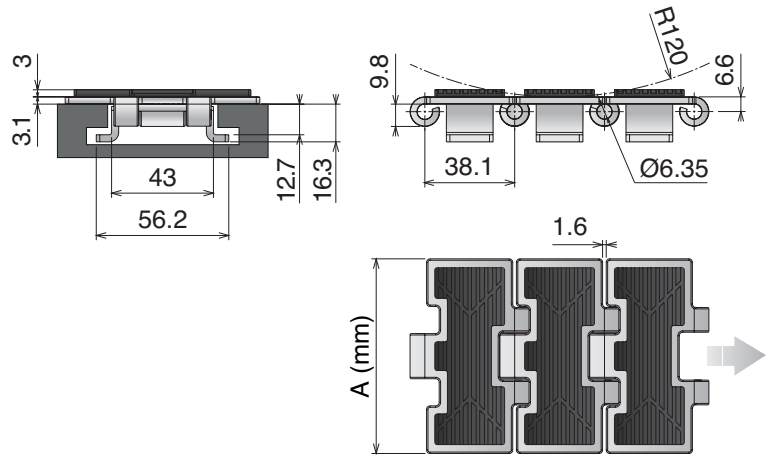
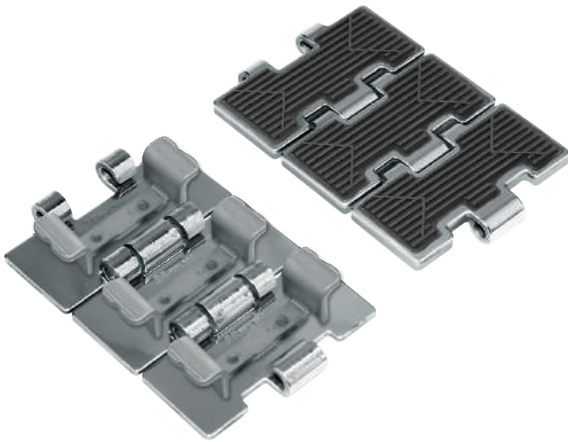


Article-Nr.	Ref.	A (Plate Width) mm	Weight kg/m	Max working load (N)	Plate/Rubber Thickness mm
SS Ferritic Stainless Steel (1.4016)					
10020202	SS 812 GT K325	82,5	2,80	5400	Plate 3,1 Rubber 3
SSE Specially treated Ferritic Stainless Steel (1.4589) - Hardened pins					
10020102	SSE 815 GT K325	82,5	2,80	6000	Plate 3,1 Rubber 3
10020105	SSE 815 GT K450	114,3	3,55		
10020107	SSE 815 GT K750	190,5	5,55		

815 TAB GT

Catena rettilinea
Straight running chain / Geradegängige Scharnierbandkette

Pins: Martensitic 1.4057 | Backflex radius min.: 120 mm



Tab System

 10 feet 3.048 m	 82-83-97/108	 pg. 525->528
80 links		

Article-Nr.	Ref.	A (Plate Width) mm	Weight kg/m	Max working load (N)	Plate/Rubber Thickness mm
SSE Specially treated Ferritic Stainless Steel (1.4589) - Hardened pins					
10200102	SSE 815 TAB GT K325	82,5	3,40	6000	Plate 3,1 Rubber 3

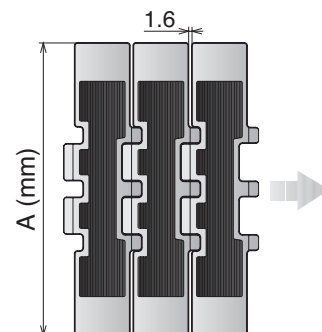
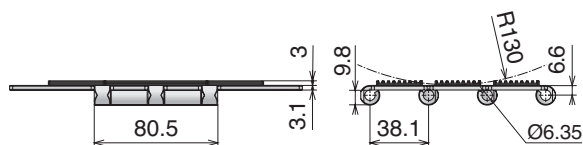
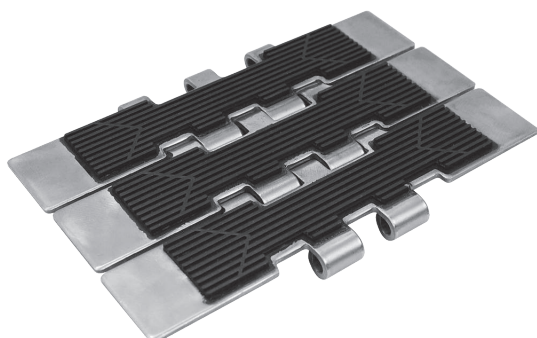
802 GT/805 GT

Catene in acciaio / Steel chains / Scharnierbandketten aus Edelstahl

802 GT/805 GT

Catena rettilinea
Straight running chain / Geradegängige Scharnierbandkette

Pins: Martensitic 1.4057 | Backflex radius min.: 130 mm



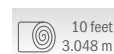
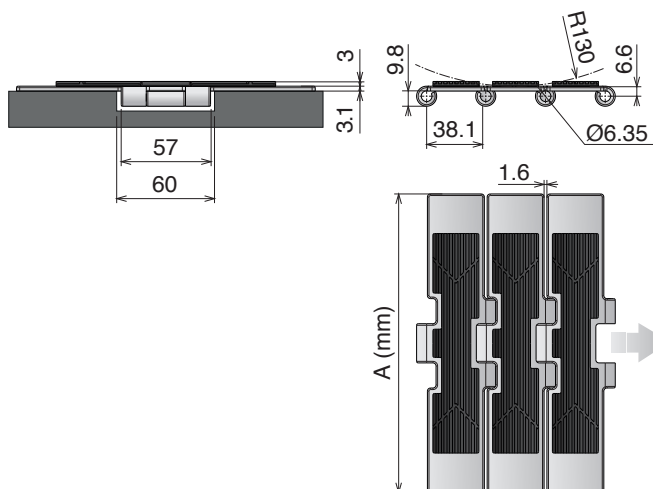
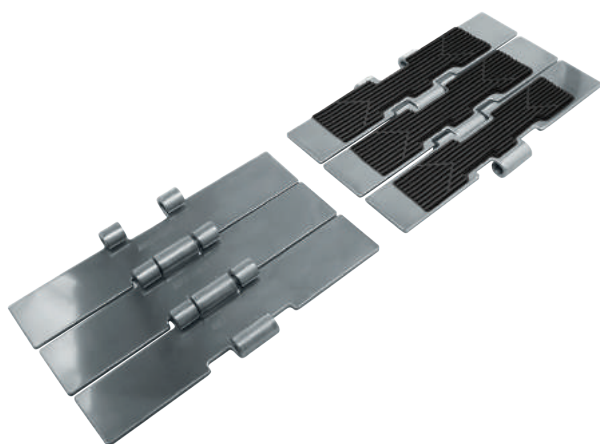
Article-Nr.	Ref.	A (Plate Width) mm	Weight kg/m	Max working load (N)	Plate/Rubber Thickness mm
SS Ferritic Stainless Steel (1.4016)					
10040207	SS 802 GT K750	190,5	6,20	7000	Plate 3,1 Rubber 3
SSE Specially treated Ferritic Stainless Steel (1.4589) - Hardened pins					
10040107	SSE 805 GT K750	190,5	6,20	9000	Plate 3,1 Rubber 3

8157 GT

Catena rettilinea
Straight running chain / Geradegängige Scharnierbandkette

Pins: Martensitic 1.4057

Backflex radius min.: 130 mm



10 feet
3.048 m

80 links



pg. 87-97/110



pg. 525->528

Article-Nr.	Ref.	A (Plate Width) mm	Weight kg/m	Max working load (N)	Plate/Rubber Thickness mm
SSE Specially treated Ferritic Stainless Steel (1.4589) - Hardened pins					
10060107	SSE 8157 GT K750	190,5	6,00	10000	Plate 3,1 Rubber 3

8811 TAB GT

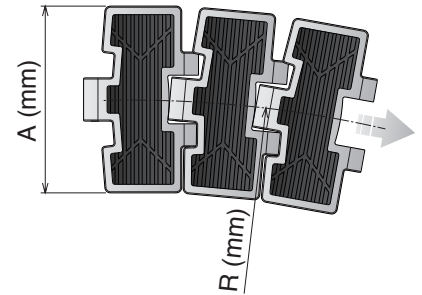
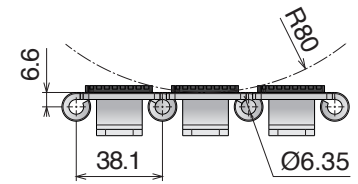
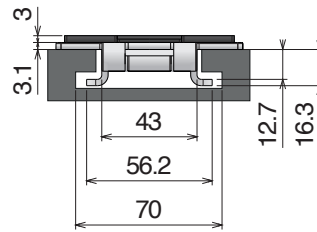
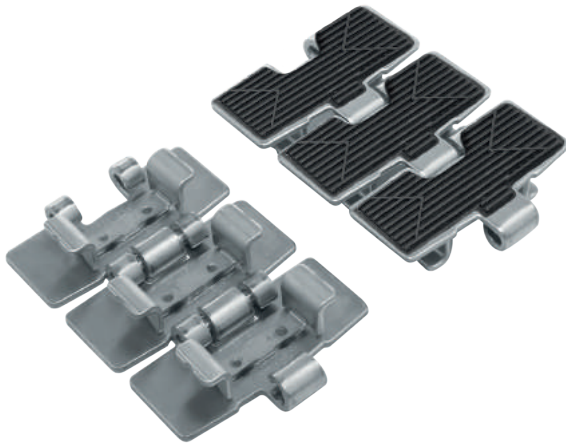
Catene in acciaio / Steel chains / Scharnierbandketten aus Edelstahl

8811 TAB GT

Catena curvilinea
Sideflexing chain / Kurvengängige Scharnierbandkette

Pins: Martensitic 1.4057

Backflex radius min.: 80 mm



Tab System



80 links



pg. 84-85/110



pg. 163/169



pg. 525->528

Article-Nr.	Ref.	A (Plate Width) mm	R mm	Weight kg/m	Max working load (N)	Plate/Rubber Thickness mm
-------------	------	-----------------------	---------	----------------	-------------------------	------------------------------

SSE Specially treated Ferritic Stainless Steel (1.4589) - Hardened pins

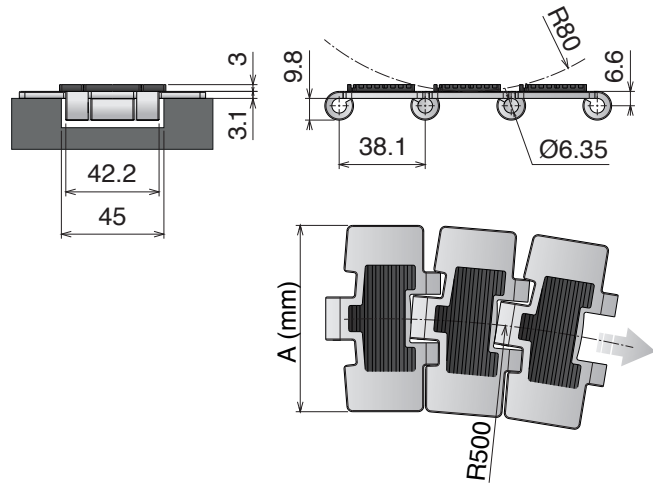
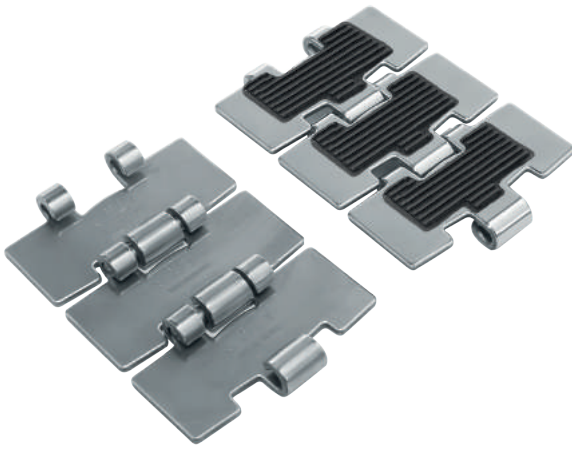
10150102	SSE 8811 TAB GT K325	82,5	500	3,20	6000	Plate 3,1 Rubber 3
10150107	SSE 8811 TAB GT K750	190,5	610	5,70		

881 M GT

Catena curvilinea
Sideflexing chain / Kurvengängige Scharnierbandkette

Pins: Martensitic 1.4057

Backflex radius min.: 80 mm



Magnetic System

10 feet
3.048 m
80 links

pg. 84-85/110

pg. 115->130

pg. 525->528

Article-Nr.	Ref.	A (Plate Width) mm	Weight kg/m	Max working load (N)	Plate/Rubber Thickness mm
SSE Specially treated Ferritic Stainless Steel (1.4589) - Hardened pins					
10090102	SSE 881 M GT K325	82,5	2,80	6000	Plate 3,1 Rubber 3
10090107	SSE 881 M GT K750	190,5	5,00		

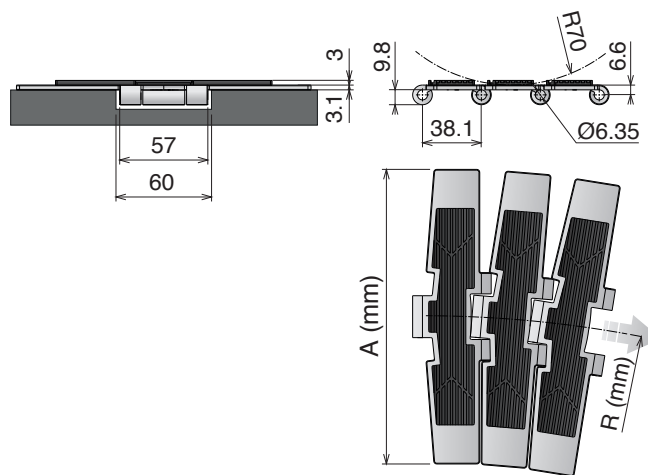
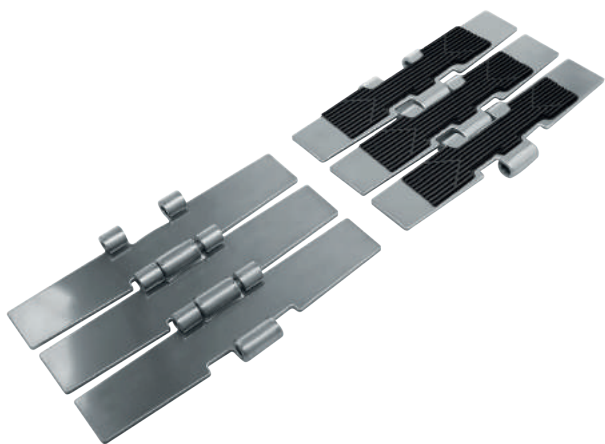
8857 M GT

Catene in acciaio / Steel chains / Scharnierbandketten aus Edelstahl

8857 M GT

Catena curvilinea
Sideflexing chain / Kurvengängige Scharnierbandkette

Pins: Martensitic 1.4057 | Backflex radius min.: 70 mm



Magnetic System

10 feet
3.048 m
80 links

pg. 87-97/110

pg. 131->136

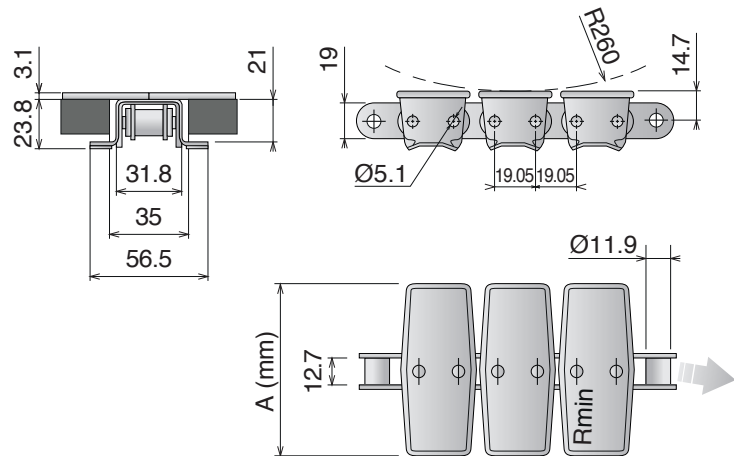
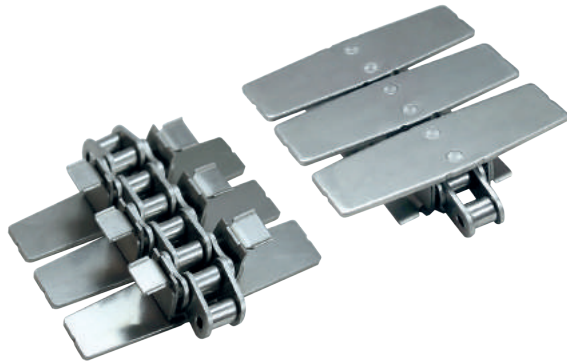
pg. 525->528

Article-Nr.	Ref.	A (Plate Width) mm	R mm	Weight kg/m	Surface finish µm	Max working load (N)	Plate/Rubber Thickness mm
SSE Specially treated Ferritic Stainless Steel (1.4589) - Hardened pins							
10190107	SSE 8857 M GT K750	190,5	750	5,70	0,3	10000	Plate 3,1 Rubber 3

1874 TAB

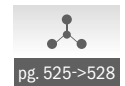
Catena curvilinea
Sideflexing chain / Kurvengängige Scharnierbandkette

Backflex radius min.: 260 mm



Standard length roller chain: 160 Pitches

Tab System



Article-Nr.	Ref.	A (Plate Width) mm	R mm	Weight kg/m	Surface finish µm	Max working load (N)	Plate Thickness mm
<i>Austenitic Stainless Steel</i>							
10220202	SS 1874 TAB K325	82,5	381	4,20	0,5	4500	3,1
10220205	SS 1874 TAB K450	114,3	381	4,80	0,5		
10220206	SS 1874 TAB K600	152,4	457	5,70	0,5		
10220207	SS 1874 TAB K750	190,5	610	6,40	0,5		



OPIS Engineering

TEL: +421 903 390 520 TEL: +421 445 547 234

TEL: +421 911 355 484

Lúčna 476 • SK 03202 , Závažná Poruba