

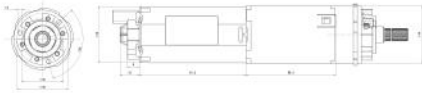
Design Data	
Commutation	Brushed
Direction of rotation	Bi-directional
Bearing type	A:Sleeve - B:Sleeve

Performance data		
Rated voltage [V]	U_N	12
Nominal torque [Nm]	M_N	10.0
No-load speed [min^{-1}]	n_0	40.0
Nominal power [W]	P_N	34.4
Nominal current [A]	I_N	8.0
Nominal force [kN]	F_N	0.00
Duty cycle	s3	

Sensor data	
Pulses	116
Output channels	1

Other data	
Gear ratio	116/1
Gear wheel material	plastic
Suppression components	2,5 μ H, 47nF, ()
Enclosure class	IP 30
Weight [kg]	0.800

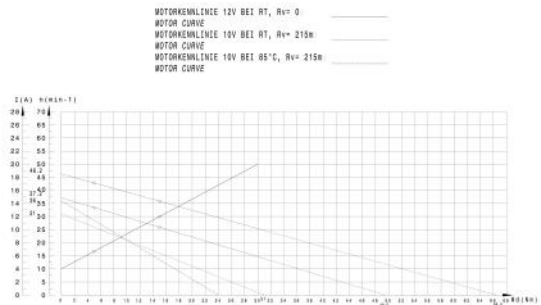
Remarks:



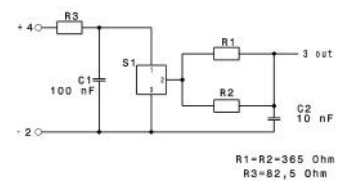
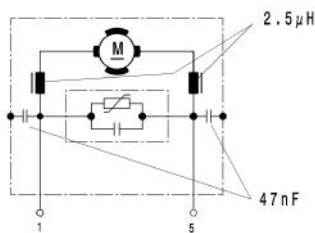
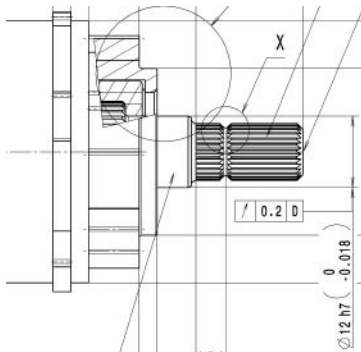
Motor picture



Characteristic curves

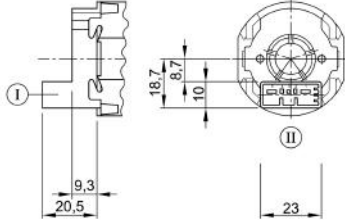


Output shaft drawing (W), Wiring diagrams (S) and Connector layout (K)



Output shaft drawing (W), Wiring diagrams (S) and Connector layout (K)

K 220



Connector TYCO C-208-15621 (Z) mating with:
Connector housing 1379217-3 & cover
1379218-2
www.tycoelectronics.com

Notes
