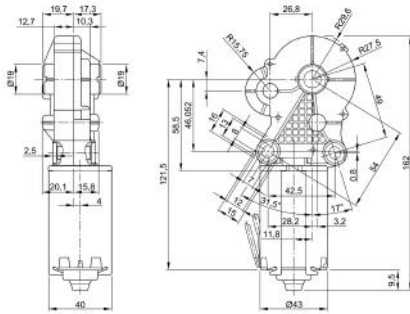


Design Data	
Commutation	Brushed
Direction of rotation	Bi-directional
Bearing type	A:Sleeve - B:Sleeve

Performance data		
Rated voltage [V]	U_N	24
Nominal torque [Nm]	M_N	4.00
No-load speed [min^{-1}]	n_0	20.0
Nominal power [W]	P_N	6.70
Nominal current [A]	I_N	2.0
Nominal force [kN]	F_N	0.00
Duty cycle		s3

0320 AR



Sensor data	
Pulses	0
Output channels	0

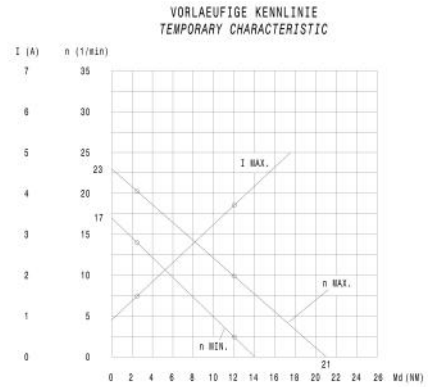
Other data	
Gear ratio	246.75/1
Gear wheel material	plastic
Suppression components	7,5 μ , 47nF
Enclosure class	IP 40
Weight [kg]	0.440

Remarks:

Motor picture

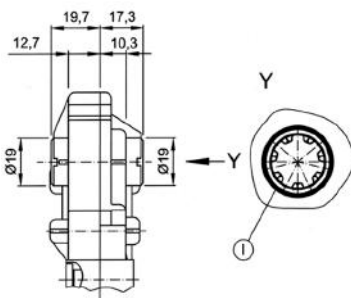


Characteristic curves

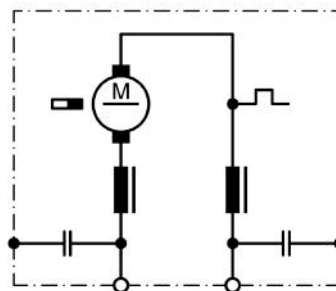


Output shaft drawing (W), Wiring diagrams (S) and Connector layout (K)

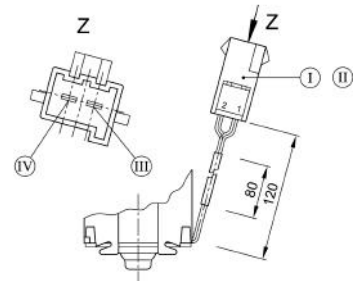
W 224



S 74



K 227



I through Profile KRC 316928 AEIZ 01

tap housing 365057-1, timer contacts 928781-5
 mating with receptacle housing 365058-1,
 timer contacts 927768-1
 1 black motor, 2 blue motor