

Design Data	
Commutation	Brushed
Direction of rotation	Bi-directional
Bearing type	A:Sleeve - B:Sleeve

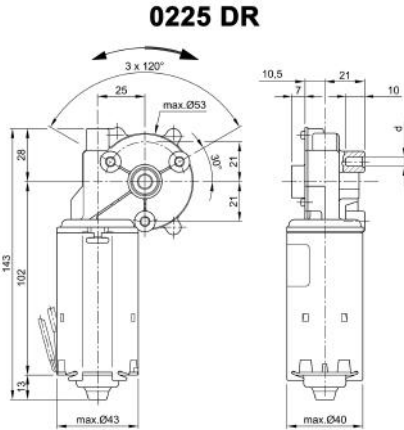
Performance data		
Rated voltage [V]	U_N	24
Nominal torque [Nm]	M_N	2.00
No-load speed [min^{-1}]	n_0	140.0
Nominal power [W]	P_N	25.1
Nominal current [A]	I_N	5.0
Nominal force [kN]	F_N	0.00
Duty cycle	s3	

Sensor data	
Pulses	62
Output channels	2

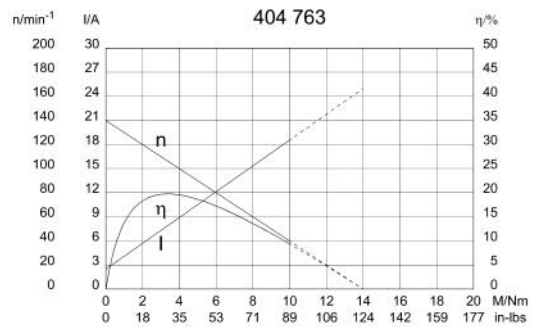
Other data	
Gear ratio	62/1
Gear wheel material	plastic
Suppression components	$4\mu\text{H}$, 1nF
Enclosure class	IP 30
Weight [kg]	0.710

Remarks: d = for thread-forming screw M5 DIN 7500

Characteristic curves

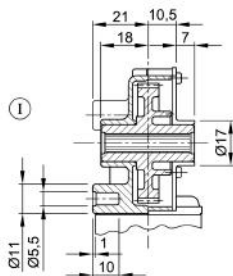


Motor picture



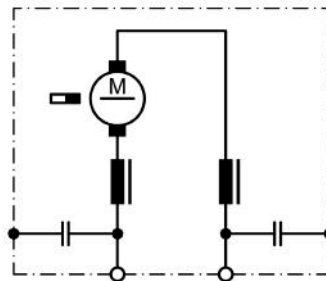
Output shaft drawing (W), Wiring diagrams (S) and Connector layout (K)

W 148

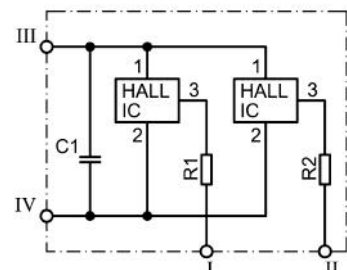


I Tapered splines 7 x 8 DIN 5481 continuous

S 30



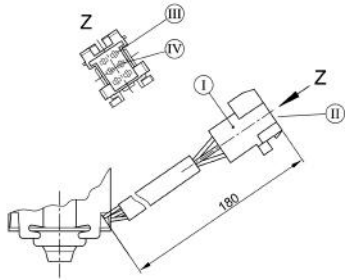
S 109



I Terminal 1, OUT A1, grey
 II Terminal 2, OUT A2, black
 III Terminal 3, +, white
 IV Terminal 4, -, red

Output shaft drawing (W), Wiring diagrams (S) and Connector layout (K)

K 205



I Connector housing AMP 929505-2 mating
 with connector AMP 929504-2
 blue motor, violet motor, white encoder +, red
 encoder -, grey A1, black A2

Notes
