

# Series SWMP

## Motor type 403 279

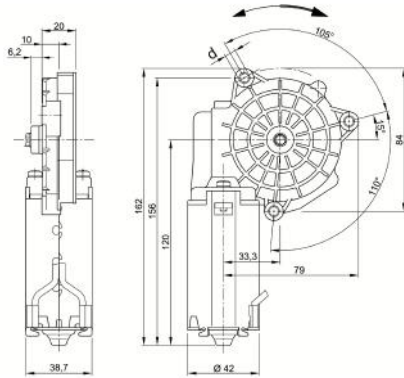
Design Data	
Commutation	Brushed
Direction of rotation	Bi-directional
Bearing type	

Performance data		
Rated voltage [V]	$U_N$	24
Nominal torque [Nm]	$M_N$	2.00
No-load speed [ $\text{min}^{-1}$ ]	$n_0$	54.0
Nominal power [W]	$P_N$	9.94
Nominal current [A]	$I_N$	1.5
Nominal force [kN]	$F_N$	0.00
Duty cycle	s1	

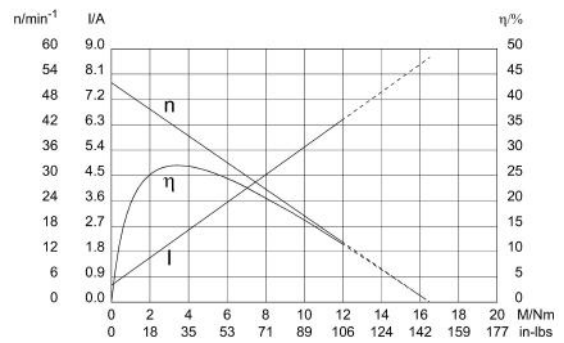
Sensor data	
Pulses	0
Output channels	0

Other data	
Gear ratio	85/1
Gear wheel material	Plastic
Suppression components	7.5 $\mu$ H, 47nF
Enclosure class	IP30
Weight [kg]	0.710

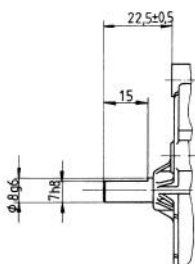
Remarks: d = 7.5mm, Ball bearing



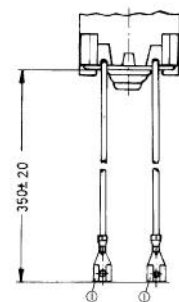
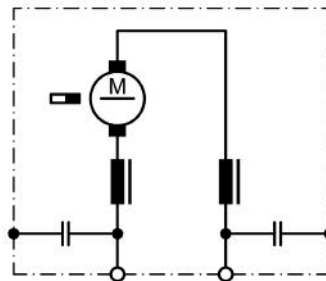
### Motor picture



### Output shaft drawing (W), Wiring diagrams (S) and Connector layout (K)



### S 30



Spade connector 4.8 DIN 46 247