

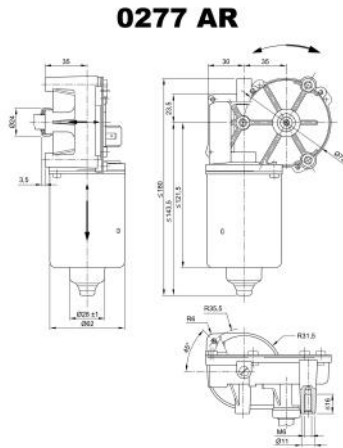
Design Data	
Commutation	Brushed
Direction of rotation	Bi-directional
Bearing type	

Performance data		
Rated voltage [V]	$U_N$	24
Nominal torque [Nm]	$M_N$	5.00
No-load speed [ $\text{min}^{-1}$ ]	$n_0$	54.0
Nominal power [W]	$P_N$	26.3
Nominal current [A]	$I_N$	5.0
Nominal force [kN]	$F_N$	0.00
Duty cycle		s1

Sensor data	
Pulses	0
Output channels	0

Other data	
Gear ratio	78/1
Gear wheel material	plastic
Suppression components	$5\mu\text{H}$ , $1\text{nF}$
Enclosure class	IP 40
Weight [kg]	1.200

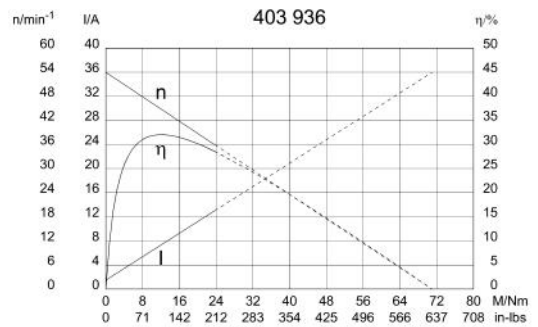
Remarks:



**Motor picture**

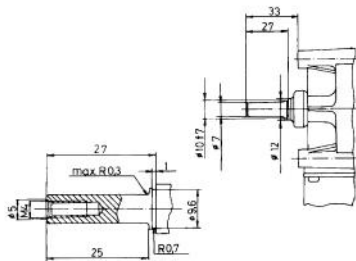


**Characteristic curves**

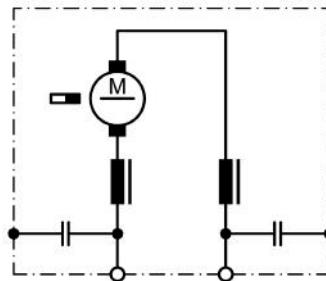


**Output shaft drawing (W), Wiring diagrams (S) and Connector layout (K)**

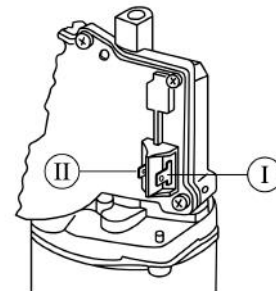
**W 194**



**S 30**



**K 144**



I - Blade terminal ends 6,3 x 0,8 DIN 46 244  
 II - Blade terminal ends 4,8 x 0,8 DIN 46 244