



Digital Inverter

VCB 400



VCB 400

Inverter

Convenient in operation and flexible in application



With the VCB range, BONFIGLIOLI VECTRON introduces a powerful generation of frequency inverters.

Their all-in-one features are bound to provide the right solution for your drive requirements - from simple speed variation applications up to high dynamic servo applications.

You will find the right specialist partner in BONFIGLIOLI VECTRON who gained a wealth of experience accumulated from several 100,000 installed frequency inverters.

Drives with BONFIGLIOLI VECTRON frequency inverters offer solutions of rational use of energy and materials in smallest possible physical size - it is a way to bionic drives.

Smooth acceleration

With torque control

Excellent revolving

At high and very low speeds

Pretentious positioning

Even with full load torque at zero speed

Highly accurate synchronous operation

For multi-motor drives and electronic gears

Highdynamic current and torque limiting

For proper operation under fast load shocks

Sweep function

With periodical speed reference profiles

Frequency inverters of the VCB range operate at input voltages from 230 to 500 Vrms

Wide voltage range

Means free choice of the most suitable control method for specific applications up to positioning and synchronous drives - using the key pad or any other control unit

**Different control methods
made to measure**

For space and cost saving installation.
All drives may be connected to a common DC bus in order to interchange energy

Butt mounting size

Is a commissioning and parameterising software, which is available as an accessory and can be used with the 32 bit windows operating systems on your notebook or personal computer. It allows the convenient setting of the frequency inverter to its drive task

PC software VPlus

Are available for all control inputs and outputs for quick connection and disconnection

Plug-in terminals

To prevent unintentional starting during work on the system,
e.g. during inspection and servicing

Safety relay as per EN 60204

Throughout the whole power range

Standardized interfaces

Can be done using
- RS 232
- RS 485
- CAN open
- Profibus-DP
- LON

Digital communication

Is a light, handy unit with 4 key operation and with a 140 segment display for alphanumeric characters and symbols. The KP 100 is used for setting up the frequency inverter to the required drive tasks and for displaying the drive parameters

Keypad KP 100

Separate cooling for control electronic and power electronic can be realized

Mounting and installation

Integrated brake chopper

For limitation of the DC link voltage during regenerative operation

Inputs and outputs

The VCB range of frequency inverters offers the following control connections for all power classes. They all have a safe isolation and are accessible in the sense of EN. All outputs are also individually isolated

1	+10V reference supply	1	+24 V supply output
2	analog 0 V (GND)	2	digital 0 V (GND)
3	analog input 1	3	digital input 1
4	analog input 1 (GND, reference)	4	digital input 2
5	analog input 2	5	digital input 3
6	analog input 2, 3 (GND, reference)	6	digital input 4
7	analog input 3	7	digital input 5
8	analog output	8	digital input 6
		9	digital input 7
		10	digital input 8
		11	external supply 30 V
1	NO contact	12	digital output 1
2	centre point relay	13	digital output 2
3	NC contact	14	external supply 0 V (GND)
		15	15 external supply +8 V

Extensions and accessories

VECTRON offers a wide choice of additional facilities for controlling, communication and special control connections as well as accessories to suit your specific requirements

Depending on the requirements you have to incorporate various features in your drives. The VCB range of frequency inverters offers you a selection of basic functions which can be activated time and/or event related.

Give you push-button control for a variety of pre-configured function sequences for lifting drives, winding drives, pressure control etc.

For range adjustment to peripheral control elements

Can be implemented on request.
Consequently, elimination of peripheral components is possible

The properties of the VCB range can be flexibly adapted to any given drive task thanks to their freely programmable functions

If the operating modes change

Enables your drive also for high starting torque

Enables starting at any operation point

If you need very fast shut-down without mains unit or brake unit, you can use the voltage control and the motor chopper

If you wish to set the speed through a contact input

If you like to carry out for example pressure, volume flow or speed regulation with the integrated PI controller

Basic functions

Application functions

Adaptation for analogue inputs and outputs

Customer's own functions

Unlimited interlinking of function blocks

Four different data sets

Torque boost

Synchronisation to a rotating motor

Controlled braking

Motor potentiometer function

Technology controller

VCB 400

Inverter

Programmable starting and stopping behaviour

So that the drive can be safely started and stopped and can also be controlled at a standstill according to the application

S ramp profile

If your drive has to make a smooth transition from one speed to another

Power failure regulation

Can be activated using kinetic energies to maintain operation during short blackouts of the mains

Parameter identification

If you wish to start your drive with menu guidance

Intelligent current limits

Allowing the drive to automatically and safely adjust to dynamic load changes and different ambient conditions using its power reserves

Brake control

If you want to activate your stop brake at an exact time and without wear

Actual value memory

Keeps you constantly informed and allows you to monitor various actual values for the application

Storing last 16 trips

Gives information on irregularities in operation; the last four trips show the accurate operating point of the drive

Warning messages

Which are signalled by the frequency inverter via digital output as soon as a configurable limit has been reached

Free choice of the reference value source

Via the frequency reference value channel or percentage reference value channel for each data set. Here several sources can be connected additively

Motor circuit breaker

For individual and multiple motor operation to protect the motor and its leads from overheating so that protection is possible in case of a short circuit or overloading

Status display of the digital inputs and outputs

So that the present state of the digital inputs and outputs can be controlled during the commissioning phase

Technical data

VCB 400 / 22-65 kW overload 1.5				VCB 400 045 OL 1.5	VCB 400 060 OL 1.5	VCB 400 075 OL 1.5	VCB 400 090 OL 1.5	VCB 400 115 OL 1.5	VCB 400 135 OL 1.5
Output motor side	Rated motor output rec.	P	kW	22	30	37	45	55	65
	Nominal power	S	kVA	31,2	41,6	52,0	62,4	79,7	93,5
	Nominal current	I	A	45	60	75	90	115	135
	Voltage	U	V	3 x 0 ... mains voltage input					
	Overload capacity	-	-	1,5 for 60 s					
	Frequency	f	Hz	0 ... 400, according to switching frequency					
Input mains side	Voltage	U	V	3 x 400 (-20%) ... 460 (+10%)					
	Frequency	f	Hz	50 (-10%) ... 60 (+10%)					
	Power factor	cosφ	-	~1 (Power factor of the fundamental)					
General	Short circuit/ earth fault	-	-	yes, unlimited					
	Efficiency (approx.)	η	%	98 , at 2 kHz switching frequency					
	Switching frequency	f	KHZ	1 ... 8					1 ... 4
	Protection	-	-	IP20, VBG4					
	Dimensions	WxHxD	mm	250 x 376 x 317			300 x 602 x 298		
	Weight (approx.)	m	kg	17	18	19	31,5	32,5	
Environment	Coolant temperature	Tn	°C	0 ... 40 , forced ventilation					
	Rel. Humidity	-	%	15 ... 85 , no condensation					
	Power reduction	ΔP	%	2,5%/K above Tn, Tmax=50°C; 5%/1000 m above 1000 m above sea level; hmax=4000 m					
Options & Accessories	Line choke (uk=4%)	-	-	external					
	EMC filter	-	-	external					
	Brake unit	-	-	internal brake transistor, external					

We reserve the right to introduce changes without notice

Expansions

KP100	Control unit
VPlus	PC software for 32 bit windows operating systems
ADA-VCB-2	RS232 / KP100 interface converter set
VCM-PTC	Motor PTC monitoring
ENC-1	Speed feedback and motor PTC monitoring
EAL-1	Expansion for analog outputs, leading frequency and motor PTC monitoring
VCI-232	RS232 - connection
VCI-485	RS485 - connection
VCI-CAN	CANopen - connection
VCI-PROF	Profibus-DP - connection
VCI-LON	LON - connection

VCB 400 / 75-250 kW overload 1.5			VCB 400 150 OL 1.5	VCB 400 180 OL 1.5	VCB 400 210 OL 1.5	VCB 400 250 OL 1.5	VCB 400 300 OL 1.5	VCB 400 370 OL 1.5	VCB 400 460 OL 1.5	
Output motor side	Rated motor output rec.	P	kW	75	90	110	132	160	200	250
	Nominal power	S	kVA	103,9	124,7	145,5	173,2	207,8	256,3	318,7
	Nominal current	I	A	150	180	210	250	300	370	460
	Voltage	U	V	3 x 0 ... mains voltage input						
	Overload capacity	-	-	1,5 for 60 s						
	Frequency	f	Hz	0 ... 400, according to switching frequency						
Input mains side	Voltage	U	V	3 x 400 (-20%) ... 460 (+10%)						
	Frequency	f	Hz	50 (-10%) ... 60 (+10%)						
	Power factor	cosφ	-	~1 (Power factor of the fundamental)						
General	Short circuit/ earth fault	-	-	yes, unlimited						
	Efficiency (approx.)	η	%	98, at 2 kHz switching frequency						
	Switching frequency	f	kHZ	1 ... 8		1 ... 4				
	Protection	-	-	IP20, VBG4						
	Dimensions	WxHxD	mm	412 x 510 x 362			518 x 820 x 406			
	Weight (approx.)	m	kg	50			110			
Environment	Coolant temperature	Tn	°C	0 ... 40, forced ventilation						
	Rel. Humidity	-	%	15 ... 85, no condensation						
	Power reduction	ΔP	%	2,5%/K above Tn, Tmax=50°C; 5%/1000 m above 1000 m above sea level; hmax=4000 m						
Options & Accessories	Line choke (uk=4%)	-	-	external						
	EMC filter	-	-	external						
	Brake unit	-	-	internal brake transistor, external						

We reserve the right to introduce changes without notice

EU guidelines

All units from the VCB range are designed and built in accordance with the requirements of the 73/23/EEC guidelines (CE conformity). The EMC 89/336/EEC requirements are also fulfilled subject to correct installation.

The required manufacturer's and conformity declarations are included in the documentation supplied with the equipment.

The frequency inverters VCB 400-010 up to VCB 400-135 are released as per UL in compliance with UL 508c and are in compliance with the CSA standards C22.2 - No. 14-95.

The release of the frequency inverters VCB 400-150 to VCB 400-610 complying with UL and CSA Rules are under development.

Technical data

VCB 400 / 22-65 kW overload 1.2				VCB 400 045 OL 1.2	VCB 400 060 OL 1.2	VCB 400 075 OL 1.2	VCB 400 090 OL 1.2	VCB 400 115 OL 1.2	VCB 400 135 OL 1.2
Output motor side	Rated motor output rec.	P	kW	22	30	37	45	55	65
	Nominal power	S	kVA	31,2	41,6	52,0	62,4	79,7	93,5
	Nominal current	I	A	45	60	75	90	115	135
	Voltage	U	V	3 x 0 ... mains voltage input					
	Overload capacity	-		1,5 for 60 s					
	Frequency	f	Hz	0 ... 400, according to switching frequency					
Input mains side	Voltage	U	V	3 x 400 (-20%) ... 460 (+10%)					
	Frequency	f	Hz	50 (-10%) ... 60 (+10%)					
	Power factor	cosφ	-	~1 (Power factor of the fundamental)					
General	Short circuit/ earth fault	-	-	yes, unlimited					
	Efficiency (approx.)	η	%	98, at 2 kHz switching frequency					
	Switching frequency	f	KHZ	1 ... 8					1 ... 4
	Protection	-	-	IP20, VBG4					
	Dimensions	WxHxD	mm	250 x 376 x 317			300 x 602 x 298		
	Weight (approx.)	m	kg	17	18	19	31,5	32,5	
Environment	Coolant temperature	Tn	°C	0 ... 40, forced ventilation					
	Rel. Humidity	-	%	15 ... 85, no condensation					
	Power reduction	ΔP	%	2,5%/K above Tn, Tmax=50°C; 5%/1000 m above 1000 m above sea level; hmax=4000 m					
Options & Accessories	Line choke (uk=4%)	-	-	external					
	EMC filter	-	-	external					
	Brake unit	-	-	internal brake transistor, external					

We reserve the right to introduce changes without notice

Expansions

KP100	Control unit
VPlus	PC software for 32 bit windows operating systems
ADA-VCB-2	RS232 / KP100 interface converter set
VCM-PTC	Motor PTC monitoring
ENC-1	Speed feedback and motor PTC monitoring
EAL-1	Expansion for analog outputs, leading frequency and motor PTC monitoring
VCI-232	RS232 - connection
VCI-485	RS485 - connection
VCI-CAN	CANopen - connection
VCI-PROF	Profibus-DP - connection
VCI-LON	LON - connection

VCB 400 / 75-355 kW overload 1.2			VCB 400 150 OL 1.2	VCB 400 180 OL 1.2	VCB 400 210 OL 1.2	VCB 400 250 OL 1.2	VCB 400 300 OL 1.2	VCB 400 370 OL 1.2	VCB 400 460 OL 1.2	VCB 400 570 OL 1.2	VCB 400 610 OL 1.2	
Output motor side	Rated motor output rec.	P	kW	75	90	110	132	160	200	250	315	355
	Nominal power	S	kVA	103,9	124,7	145,5	173,2	207,8	256,3	318,7	395	422,6
	Nominal current	I	A	150	180	210	250	300	370	460	570	610
	Voltage	U	V	3 x 0 ... mains voltage input								
	Overload capacity	-	-	1,5 for 60 s								
	Frequency	f	Hz	0 ... 400, according to switching frequency								
Input mains side	Voltage	U	V	3 x 400 (-20%) ... 460 (+10%)								
	Frequency	f	Hz	50 (-10%) ... 60 (+10%)								
	Power factor	cosφ	-	~1 (Power factor of the fundamental)								
General	Short circuit/ earth fault	-	-	yes, unlimited								
	Efficiency (approx.)	η	%	98 , at 2 kHz switching frequency								
	Switching frequency	f	kHZ	1 ... 8			1 ... 4					
	Protection	-	-	IP20, VBG4								
	Dimensions	WxHxD	mm	412 x 510 x 362			518 x 820 x 406			518 x 1095 x 406		
	Weight (approx.)	m	kg	50			110			120		
Environment	Coolant temperature	Tn	°C	0 ... 40 , forced ventilation								
	Rel. Humidity	-	%	15 ... 85 , no condensation								
	Power reduction	ΔP	%	2,5%/K above Tn, Tmax=50°C; 5%/1000 m above 1000 m above sea level; hmax=4000 m								
Options & Accessories	Line choke (uk=4%)	-	-	external								
	EMC filter	-	-	external								
	Brake unit	-	-	internal brake transistor, external							external	

We reserve the right to introduce changes without notice

EU guidelines

All units from the VCB range are designed and built in accordance with the requirements of the 73/23/EEC guidelines (CE conformity). The EMC 89/336/EEC requirements are also fulfilled subject to correct installation.

The required manufacturer's and conformity declarations are included in the documentation supplied with the equipment.

The frequency inverters VCB 400-010 up to VCB 400-135 are released as per UL in compliance with UL 508c and are in compliance with the CSA standards C22.2 - No. 14-95.

The release of the frequency inverters VCB 400-150 to VCB 400-610 complying with UL and CSA Rules are under development.

VCB designation

Field 1	Field 2	Field 3	Field 4	Field 5	Field 6	Field 7	
Inverter series	Size	Overload OL	Braking unit	KP keypad	Communication modules	Expansion modules	Specialist applications
VCB 400	045	OL1.5 OL1.2	_no BU BU	KP100 _no KP	VCI 232 _no communic. VCI485 VCICAN VCIPROF VCILON	_no exp EAL1 ENC1 VCMPTC	
	060						
	075						
	090						
	115						
	135						
	150						
	180						
	210						
	250						
	300						
	370						
	460						
570							
610							

Standard values are shown in bold

Designation rules

- The BU option is only available with overload OL1.5
- Sizes 570 and 610 are only available with overload OL1.2
- Communication modules (Field 6) are alternatives
- Expansion modules (Field 7) are alternatives

Field 1:	VCB400 = inverter VCB 3ph 400VAC	Field 3:	OL1.2 = overload 120%
Field 2:	045 = 22 kW		OL1.5 = overload 150%
	060 = 30 kW	Field 4:	_ (blank) = no braking unit
	075 = 37 kW		BU = internal braking unit
	090 = 45 kW	Field 5:	_ (blank) = no keypad
	115 = 55 kW		KP100 = keypad
	135 = 65 kW	Field 6:	_ (blank) = no communication module
	150 = 75 kW		VCI232 = RS232 serial interface
	180 = 90 kW		VCI485 = RS485 serial interface
	210 = 110 kW		VCICAN = CAN BUS interface
	250 = 132 kW		VCIPROF = PROFIBUS interface
	300 = 160 kW		VCILON = LON interface
	370 = 200 kW	Field 7:	_ (blank) = no expansion module
	460 = 250 kW		EAL1 = analog expansion module
	570 = 315 kW		ENC1 = encoder module
	610 = 355 kW		VCMPTC = temperature control module with PTC thermistor

Example of designation: VCB400 060 OL1.5 BU KP100 VCI232

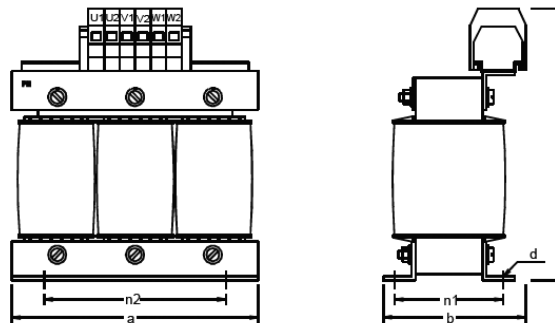
3x400V line inductor for VCB 400 inverters

Size	Description of inductor	Rated current (A)	Inductance (mH)	Dissipated power (W)	Dimensions (mm)			Installation (mm)			Weight (kg)
					a	b	c	n2	n1	d	
045	LCVT050	50	0.59	100	155	115	190	130	72	8	4,5
060	LCVT060	60	0.49	100	190	110	220	170	58	8	9,0
075	LCVT075	75	0.37	110	190	120	250	170	68	8	12
090	LCVT090	90	0.33	120	190	130	250	170	78	8	12
115	LCVT115	115	0.25	140	210	140	270	180	82	8	14
135	LCVT135	135	0.22	180	240	160	300	190	100	11	20
150	LCVT160	160	0.18	180	240	160	310	190	100	11	20
180	LCVT180	180	0.16	185	240	175	320	190	106	11	22
210	LCVT210	210	0.14	200	240	200	335	190	121	11	26
250	LCVT250	250	0.12	210	240	210	350	190	126	11	28
300	LCVT300	300	0.098	290	320	210	410	240	121	11	38
370	LCVT370	370	0.077	350	320	230	410	240	134	11	46
460	LCVT460	460	0.064	410	360	270	460	240	146	11	55
570	LCVT600	610	0.049	480	360	290	510	310	126	11	65
610											

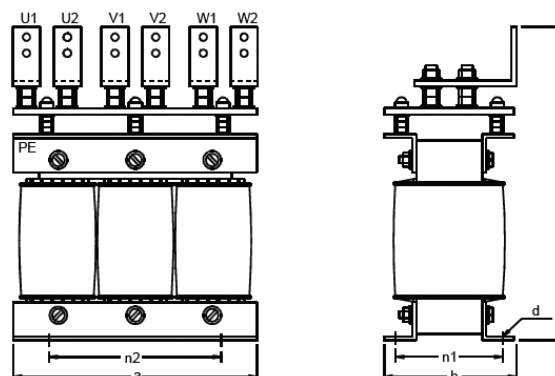
verify the application with Bonfiglioli's technical service

Always fit the inductor on the input

LCVT050 ... LCVT370



LCVT460 ... LCVT600

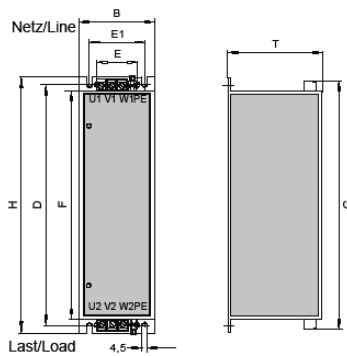


EMC filters for VCB 400 inverters

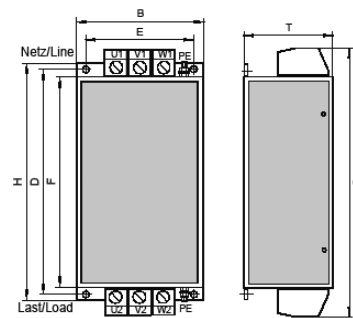
Size	Description of filter	Rated current (A)	Overload (A)	Dissipated power (W)	Dimensions (mm)			Installation (mm)	
					H	B	T	D	E
045	FTV050	50	75	31	290	90	100	275	50/76
060	FTV063	63	94,5	53	330	150	103	315	105
075	FTV080	80	120	68	325	150	107	310	105
90	FTV100	100	150	68	325	150	107	310	105
115	FTV125	125	187,5	82	345	175	137	330	120
135/150	FTV150	150	225	88	405	175	156	390	120
180	FTV180	180	270	150	490	170	158	470	110
210	FTV210	220	330	180	490	170	158	470	110
250	FTV250	250	375	180	490	230	158	470	170
300	FTV300	300	400	200	490	230	158	470	170
370	FTV400	400	600	230	580	230	158	560	170
460	FTV500	500	750	270	630	345	158	530	325
570	FTV600	600	900	290	660	375	187	450	355
610	FTV700								

verify the application with Bonfiglioli's technical service

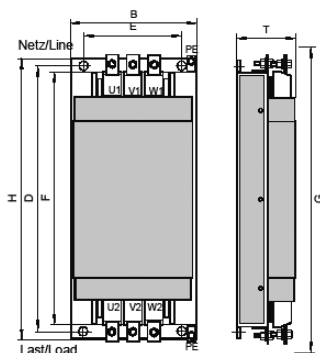
FTV050



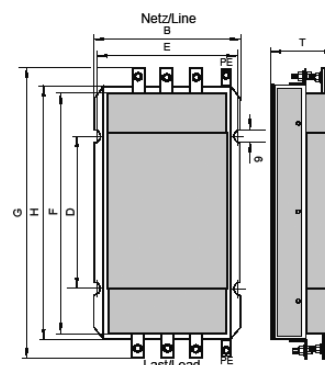
FTV063 ... FTV150



FTV180 ... FTV400



FTV500 ... FTV600





Bonfiglioli is a Partner Worldwide for Power Transmission and Motion Control



The ever-growing export share has led Bonfiglioli into the most far away Countries. With expansion plans entailing a further growth of the sales network Bonfiglioli aims at improving both the competitiveness of its products and the effectiveness of the Customer service. In every market place Bonfiglioli is committed to improve the Customer satisfaction by offering state-of-the-art technology and shorter deliveries. Nowadays branch companies and BEST Partners bearing the Bonfiglioli name are operating in seventeen Countries outside Italy, with sales and service in the other countries managed by appointed dealers. The domestic network is made up of 30 sales office and representatives and 100 dealers operating with their own warehouse and supporting Customers locally. Throughout the World Bonfiglioli's reputed know-how and Service guarantee effective and timely assistance.



Bonfiglioli Worldwide & BEST Partners

AUSTRALIA

BONFIGLIOLI TRANSMISSION (Aust) Pty Ltd.
48-50 Adderley St. (East) Auburn (Sydney) N.S.W. 2144
Tel. (+61) 2 8748 4400 - Fax (+61) 2 9748 8740
P.o. Box 6705 Silverwater NSW 1811
www.bonfiglioli.com.au - bta1@bonfiglioli.com.au

AUSTRIA

MOLL MOTOR GmbH
Industriestrasse 8 - 2000 Stockerau
Tel. (+43) 2266 63421+DW - Fax (+43) 6342 180
Tlx 61 32 22 348 Molla
www.mollmotor.at - office@mollmotor.at

BELGIUM

N.V. ESCO TRANSMISSION S.A.
Culliganlaan 3 - 1831 Machelem Diegem
Tel. 0032 2 7204880 - Fax 0032 2 7212827
Tlx 21930 Escopo B
www.escotrans.be - info@escotrans.be

BRASIL

ATI BRASIL
Rua Omilo Monteiro Soares, 260 - Vila Fanny - 81030-000
Tel. (+41) 334 2091 - Fax (+41) 332 8669
www.atibrasil.com.br - vendas@atibrasil.com.br

CANADA

BONFIGLIOLI CANADA INC.
2-7941 Jane Street - Concord, ONTARIO L4K 4L6
Tel. (+1) 905 7384466 - Fax (+1) 905 7389833
www.bonfigliolicanada.com - sales@bonfigliolicanada.com

CHINA

BONFIGLIOLI DRIVES (SHANGHAI) CO. LTD.
No. 8 Building, Area C1 - 318
SuHong Road, Qingpu, Shanghai 201700
Tel. +86 21 69225500 - Fax +86 21 69225511
www.bonfiglioli.cn - linkn@bonfiglioli.com

FRANCE

BONFIGLIOLI TRANSMISSIONS S.A.
14 Rue Eugene Pottier BP 19
Zone Industrielle de Moimont II - 95670 Marly la Ville
Tel. (+33) 1 34474510 - Fax (+33) 1 34688800
www.bonfiglioli.fr - btf@bonfiglioli.fr

GERMANY

BONFIGLIOLI DEUTSCHLAND GmbH
Hamburger Straße 18 - 41540 Dormagen
Tel. (+49) 2133 50260 - Fax (+49) 2133 502610
www.bonfiglioli.de - info@bonfiglioli.de

GREAT BRITAIN

BONFIGLIOLI UK Ltd
Unit 3 Colemeadow Road - North Moons Moat
Redditch, Worcestershire B98 9PB
Tel. (+44) 1527 65022 - Fax (+44) 1527 61995
www.bonfiglioli.co.uk - marwaha@bonfiglioli.com

BONFIGLIOLI (UK) LIMITED
5 Grosvenor Grange - Woolston - Warrington, Cheshire WA1 4SF
Tel. (+44) 1925 852667 - Fax (+44) 1925 852668
www.bonfiglioliuk.co.uk - sales@bonfiglioliuk.co.uk

GREECE

BONFIGLIOLI HELLAS S.A.
O.T. 48A T.O. 230 - C.P. 570 22 Industrial Area - Thessaloniki
Tel. (+30) 2310 796456 - Fax (+30) 2310 795903
www.bonfiglioli.gr - info@bonfiglioli.gr

HOLLAND

ELSTO AANDRIJFTECHNIEK
Loosterweg, 7 - 2215 TL Voorhout
Tel. (+31) 252 219 123 - Fax (+31) 252 231 660
www.elsto.nl - imfo@elsto.nl

HUNGARY

AGISYS AGITATORS & TRANSMISSIONS Ltd
2045 Torokballint, To u.2. Hungary
Tel. +36 23 50 11 50 - Fax +36 23 50 11 59
www.agisys.hu - info@agisys.com

INDIA

BONFIGLIOLI TRANSMISSIONS PVT Ltd.
PLOT AC7-AC11 Sidco Industrial Estate
Thirumudivakkam - Chennai 600 044
Tel. +91(0)44 24781035 / 24781036 / 24781037
Fax +91(0)44 24780091 / 24781904
www.bonfiglioli.co.in - bonfig@vsnl.com

NEW ZEALAND

SAECO BEARINGS TRANSMISSION
36 Hastie Avenue, Mangere
Po Box 22256, Otahuhu - Auckland
Tel. +64 9 634 7540 - Fax +64 9 634 7552
mark@saeco.co.nz

POLAND

POLPACK Sp. z o.o. - Ul. Chrobrego 135/137 - 87100 Torun
Tel. 0048.56.6559235 - 6559236 - Fax 0048.56.6559238
www.polpack.com.pl - polpack@polpack.com.pl

RUSSIA

FAM
57, Maly prospekt, V.O. - 199048, St. Petersburg
Tel. +7 812 3319333 - Fax +7 812 3271454
www.fam-drive.ru - info@fam-drive.ru

SPAIN

TECNOTRANS SABRE S.A.
Pol. Ind. Zona Franca sector C, calle F, n°6 08040 Barcelona
Tel. (+34) 93 4478400 - Fax (+34) 93 3360402
www.tecnotrans.com - tecnotrans@tecnotrans.com

SOUTH AFRICA

BONFIGLIOLI POWER TRANSMISSION Pty Ltd.
55 Galaxy Avenue, Linbro Business Park - Sandton
Tel. (+27) 11 608 2030 OR - Fax (+27) 11 608 2631
www.bonfiglioli.co.za - bonfigsales@bonfiglioli.co.za

SWEDEN

BONFIGLIOLI SKANDINAVIEN AB
Kontorsgatan - 234 34 Lomma
Tel. (+46) 40 412545 - Fax (+46) 40 414508
www.bonfiglioli.se - info@bonfiglioli.se

THAILAND

K.P.T MACHINERY (1993) CO.LTD.
259/83 Soi Phiboovnes, Sukhumvit 71 Rd. Phrakonong-nur,
Wattana, Bangkok 10110
Tel. 0066.2.3913030/7111998
Fax 0066.2.7112852/3811308/3814905
www.kpt-group.com - sales@kpt-group.com

USA

BONFIGLIOLI USA INC
1000 Worldwide Boulevard - Hebron, KY 41048
Tel.: (+1) 859 334 3333 - Fax: (+1) 859 334 8888
www.bonfiglioliusa.com
industrialsales@bonfiglioliusa.com
mobilesales@bonfiglioliusa.com

VENEZUELA

MAQUINARIA Y ACCESORIOS IND.-C.A.
Calle 3B - Edif. Comindu - Planta Baja - Local B
La Urbina - Caracas 1070
Tel. 0058.212.2413570 / 2425268 / 2418263
Fax 0058.212.2424552
Tlx 24780 Maica V
www.maica-ve.com - maica@telcel.net.ve

HEADQUARTERS

BONFIGLIOLI RIDUTTORI S.p.A.
Via Giovanni XXIII, 7/A
40012 Lippo di Calderara di Reno
Bologna (ITALY)
Tel. (+39) 051 6473111
Fax (+39) 051 6473126
www.bonfiglioli.com
bonfiglioli@bonfiglioli.com

SPARE PARTS BONFIGLIOLI

B.R.T.
Via Castagnini, 2-4
Z.I. Bargellino - 40012
Calderara di Reno - Bologna (ITALY)
Tel. (+39) 051 727844
Fax (+39) 051 727066
www.brtonfiglioliricambi.it
brt@bonfiglioli.com



www.bonfiglioli.com

